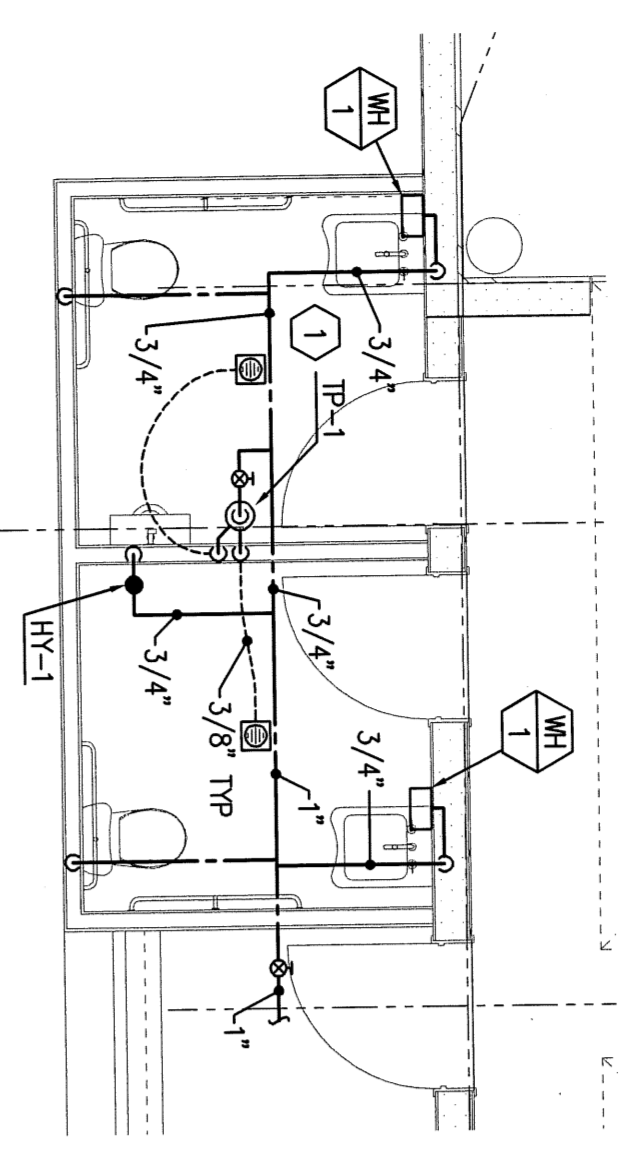
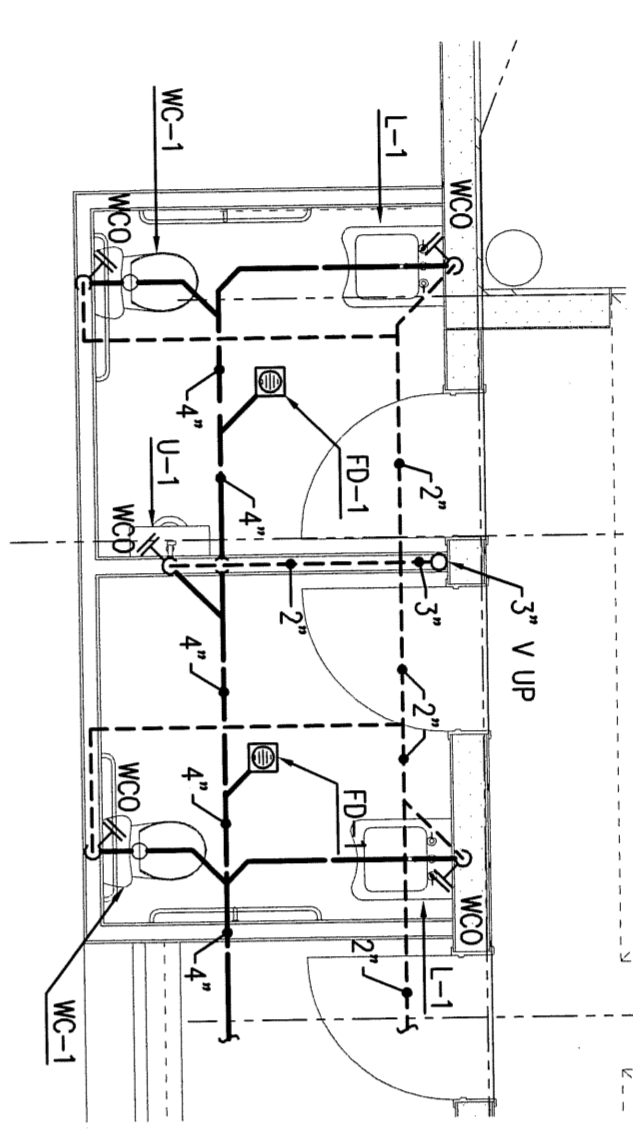


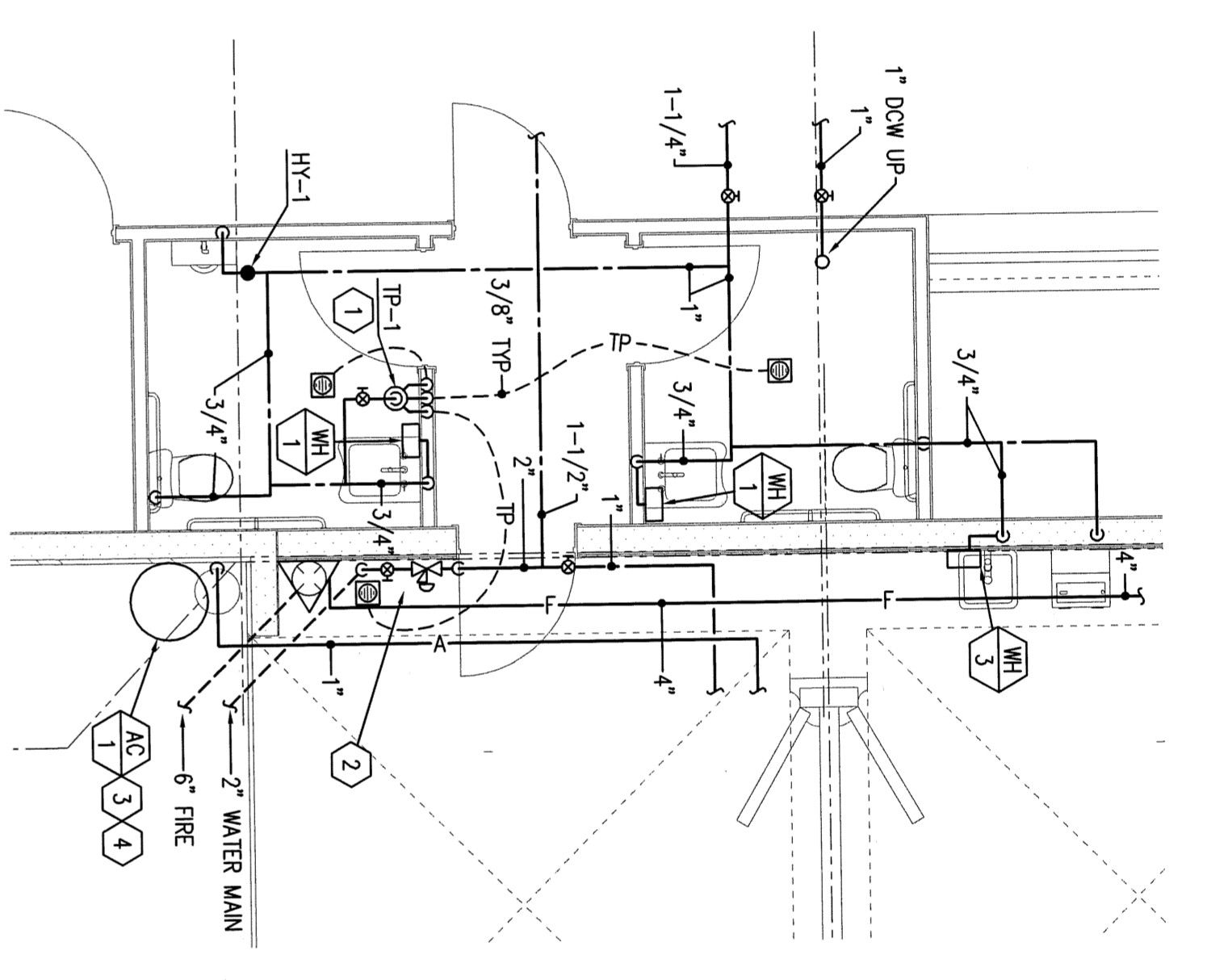
1 2 3 4 5 6



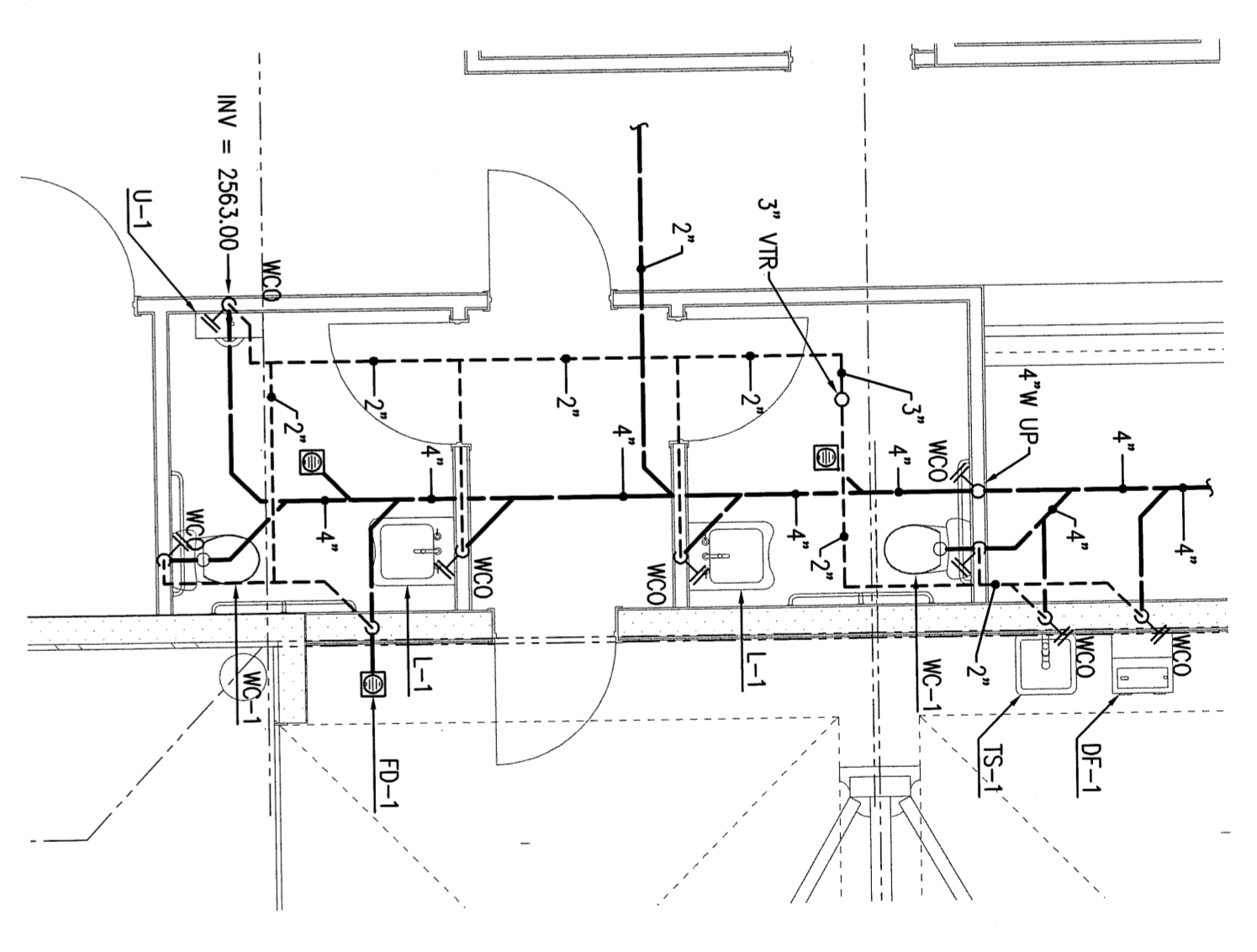
1 ENLARGED WATER PIPING
AREA A MAIN LEVEL
SCALE: 1/4"=1'-0"



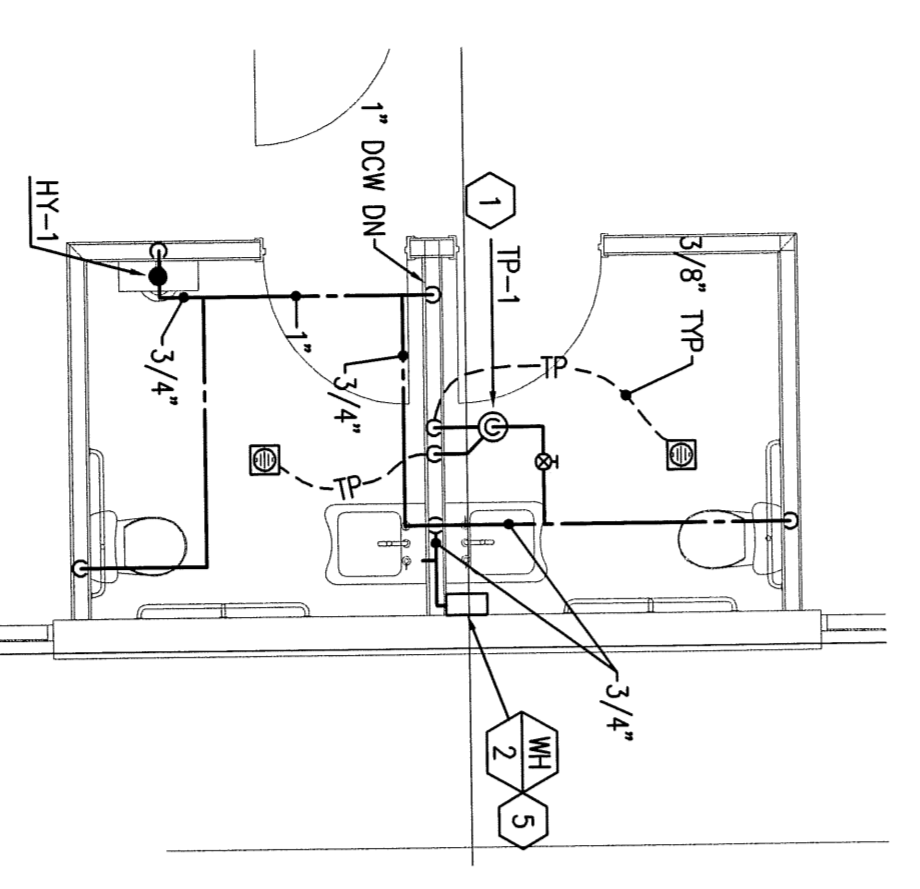
2 ENLARGED WASTE AND VENT
AREA A MAIN LEVEL
SCALE: 1/4"=1'-0"



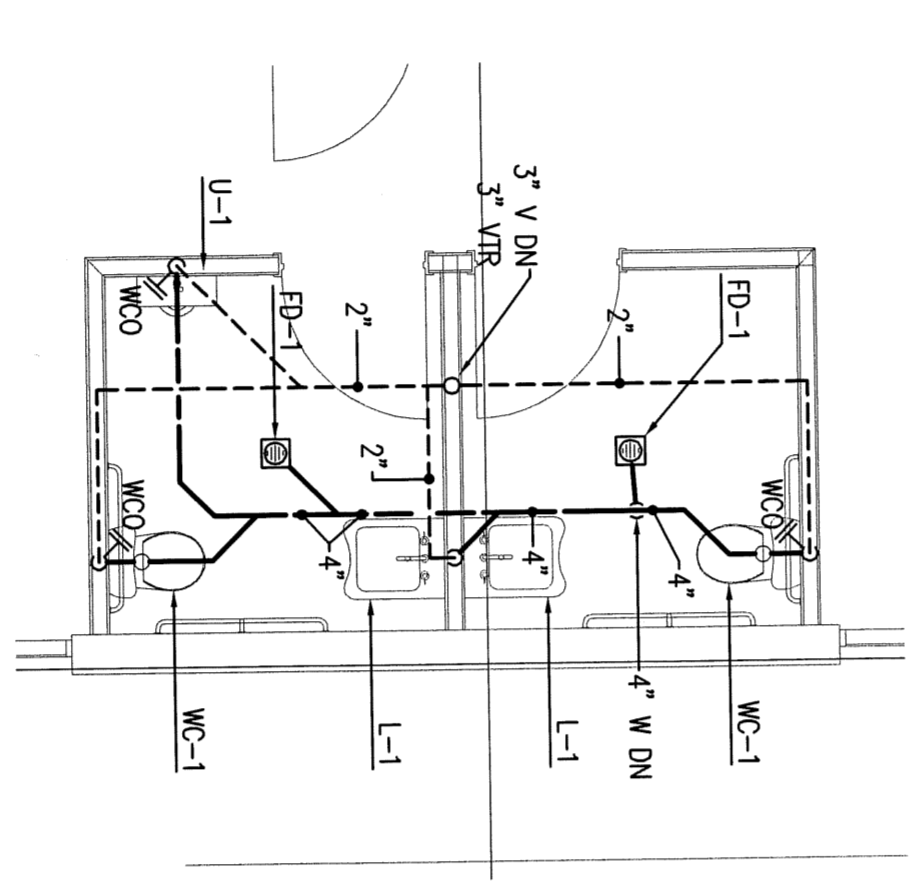
3 ENLARGED WATER PIPING
AREA A MAIN LEVEL
SCALE: 1/4"=1'-0"



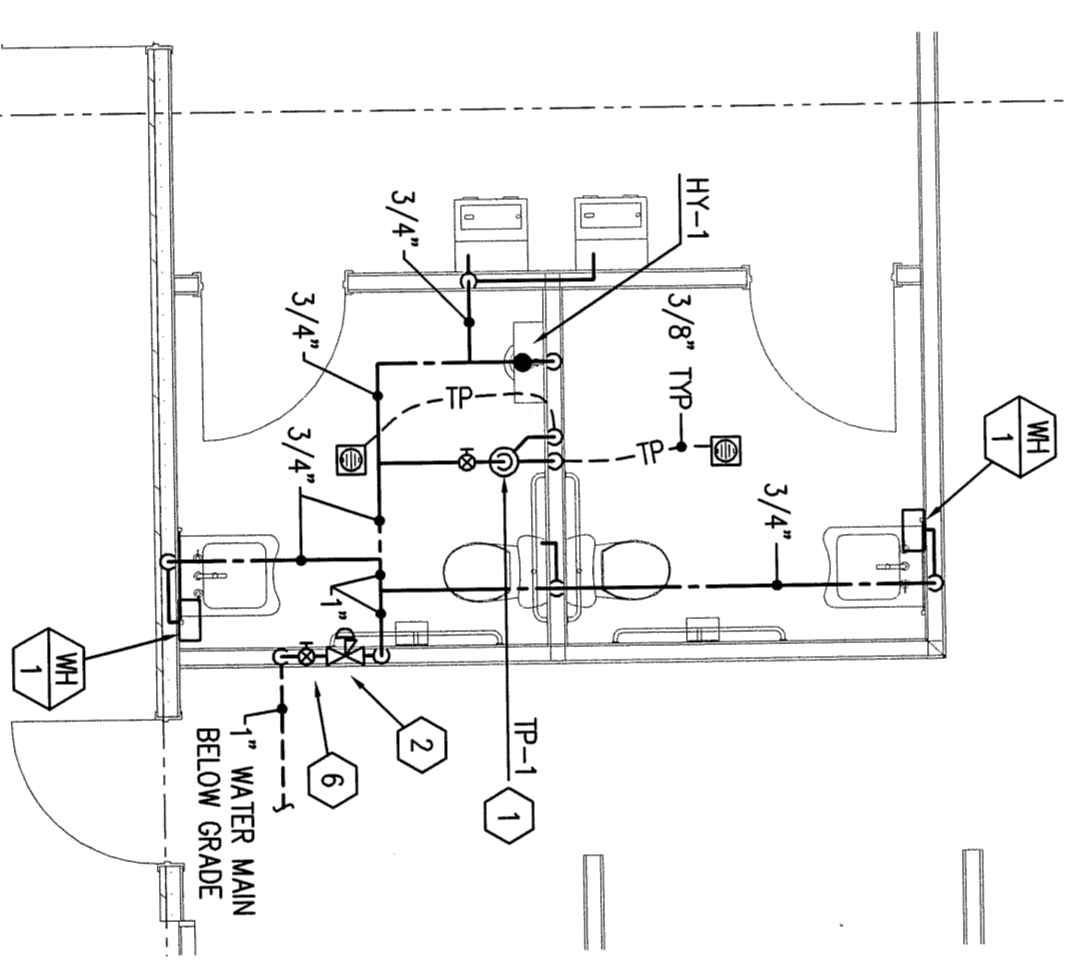
4 ENLARGED WASTE AND VENT
AREA A MAIN LEVEL
SCALE: 1/4"=1'-0"



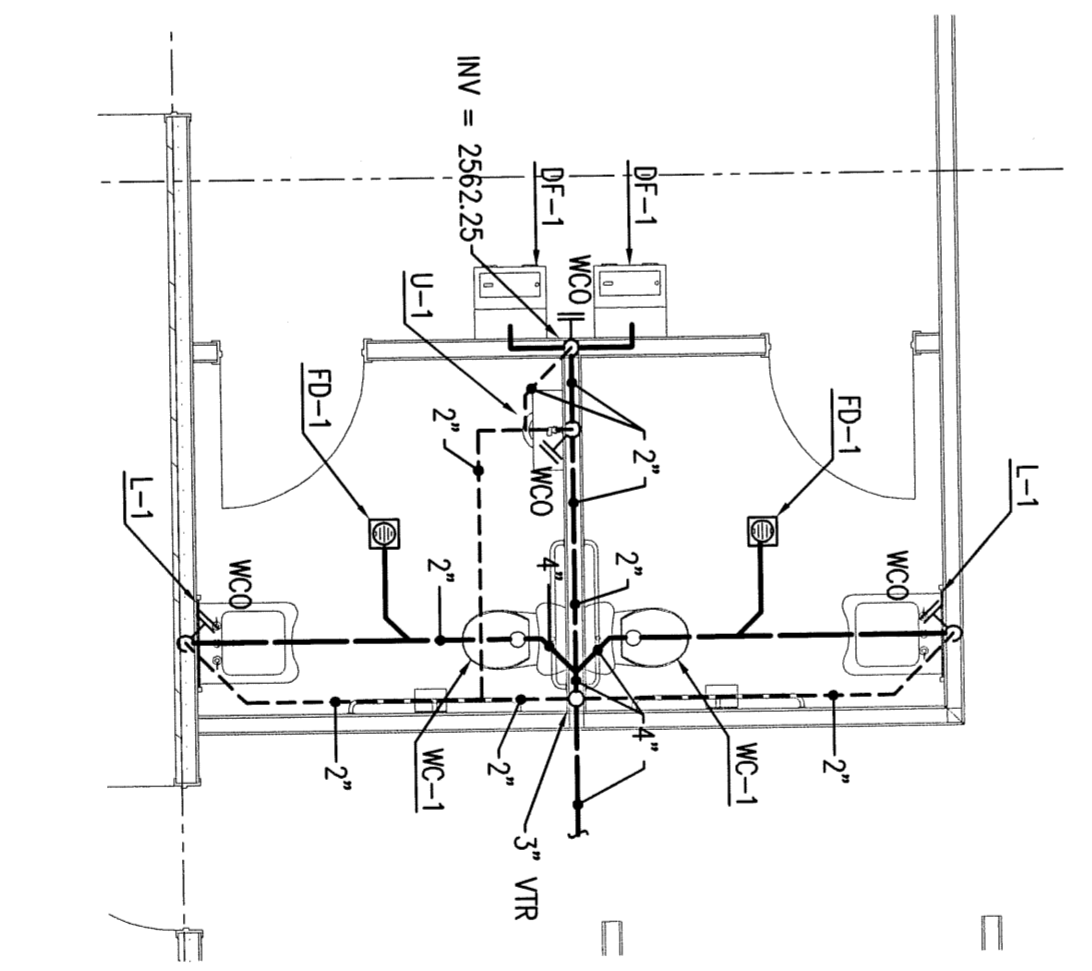
5 ENLARGED WATER PIPING
AREA A SECOND LEVEL
SCALE: 1/4"=1'-0"



6 ENLARGED WASTE AND VENT
AREA A SECOND LEVEL
SCALE: 1/4"=1'-0"



7 ENLARGED WATER PIPING
AREA A SECOND LEVEL
SCALE: 1/4"=1'-0"



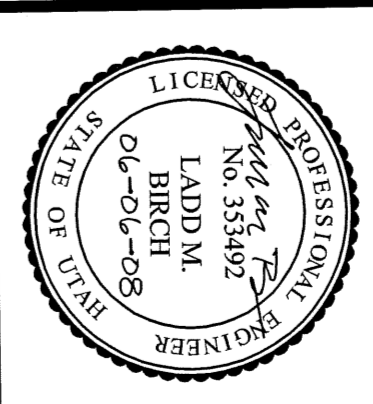
8 ENLARGED WASTE AND VENT
AREA A SECOND LEVEL
SCALE: 1/4"=1'-0"

KEYED NOTES

1. PROVIDE ACCESS PANEL FOR TRAP PRIMER LOCATED IN WALL
2. PROVIDE AND INSTALL MAIN BUILDING SHUT-OFF VALVE AND WATTS N233 PRESSURE REDUCING VALVE
3. MOUNT AIR COMPRESSOR ON GROUND AND MAKE FINAL CONNECTIONS PER MANUFACTURER'S RECOMMENDATIONS. CONSULT WITH OWNER/ARCHITECT.
4. PROVIDE AND INSTALL FILTER AND AIR DRYER FOR COMPRESSED AIR
5. WATER HEATER SERVES BACK TO BACK LAVATORIES
6. PROVIDE ACCESS PANEL ON RESTROOM SIDE OF WALL.

Western Design Group, Inc.
 ARCHITECTURE
 2 West St. George Blvd.
 Ancestor Square Suite 10
 St. George, Utah 84770
 435/656.1312 Fax 656.1355
 westerndesign@west.net

VAN BOERUM & FRANK ASSOCIATES INC.
 CONSULTANTS
 500 West 1000 South
 Salt Lake City, Utah 84119
 St. George, UT 84770
 435/874.2788 F
 VBA Project Number: 815



PAINTER'S SERVICE CENTER
 1600 HILTON DR.
 ST. GEORGE, UTAH 84770

JIM PAINTER

CD	PP	DD	MARK	DATE	DESCRIPTION

PROJECT NO: VBA-8-108
 MODEL FILE: P.FARNSWORTH
 DRAWN BY: LIBRCH
 CHECKED BY: LIBRCH
 COPYRIGHT: 2008

SHEET TITLE
ENLARGED PLUMBING PLAN
P2.1
 SHEET OF