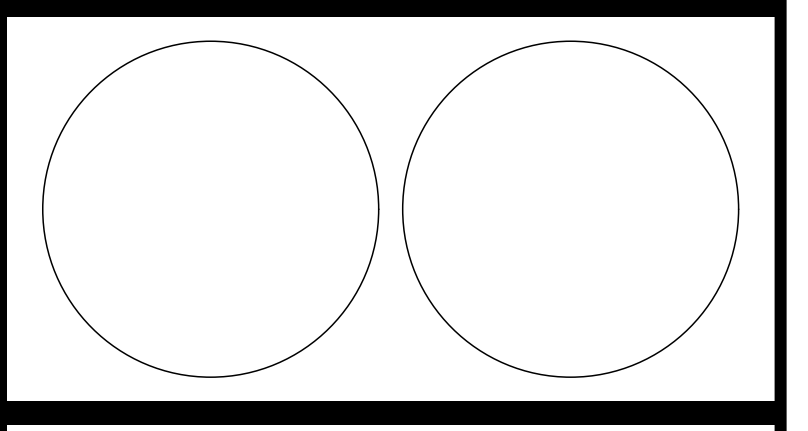


\\SERVER1\1Data\2008\Projects\2008 Utah Projects\08UC001 Painter Service Center\20080514 Painter's Service Center.pln

CONSULTANTS



### PAINTER'S SERVICE CENTER

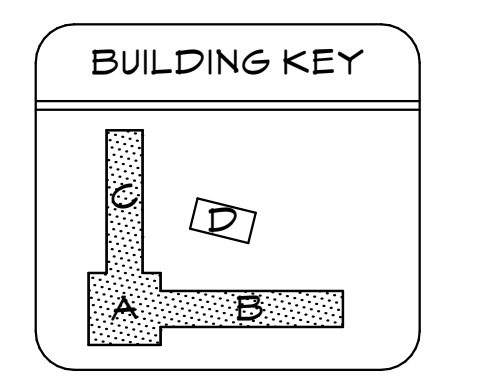
1600 HILTON DR.  
ST. GEORGE, UTAH  
84770

JIM PAINTER

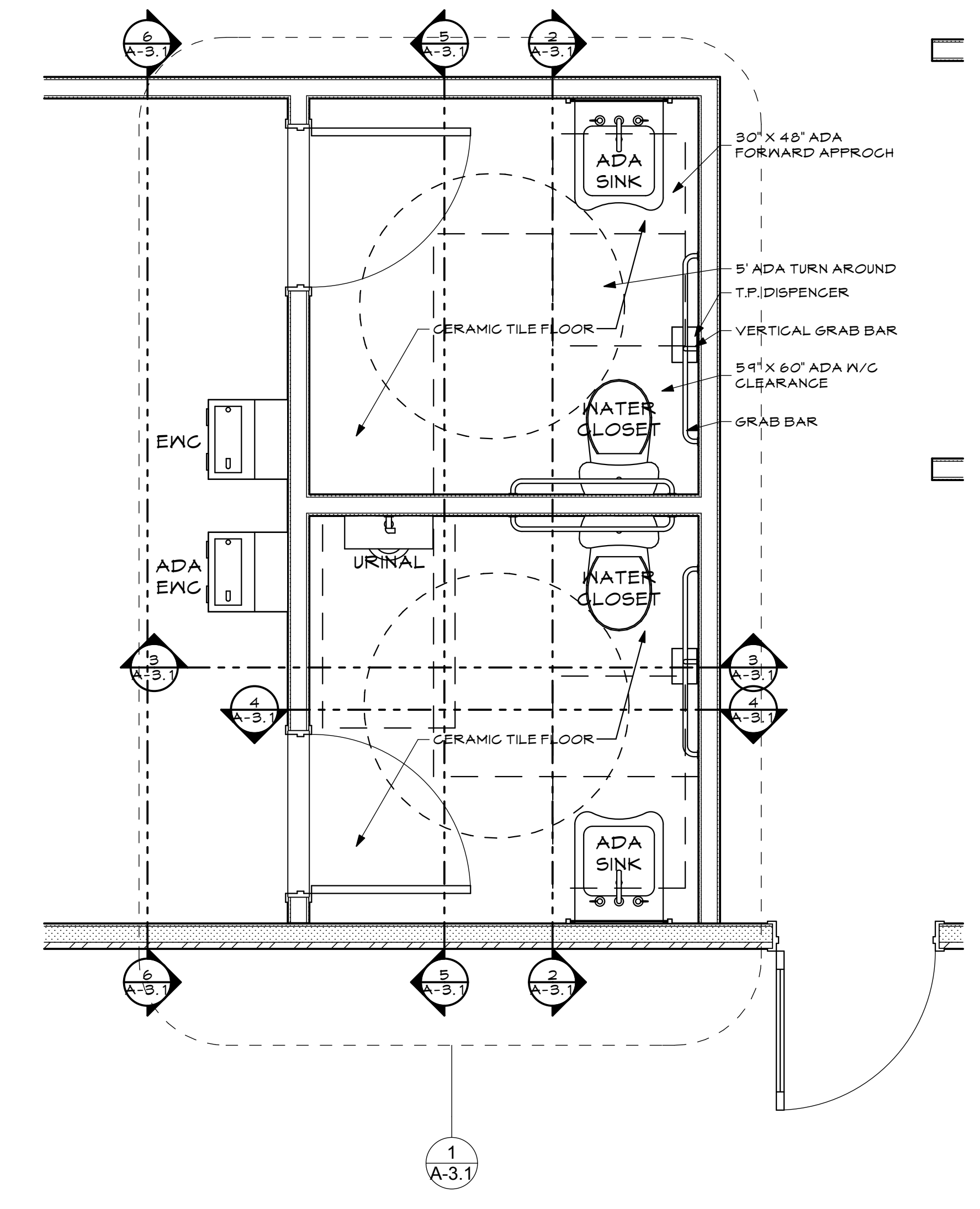
MARK	DATE	DESCRIPTION

PROJECT NO: #Pin  
 MODEL FILE:  
 DRAWN BY: WILLIAM D. WESTERN  
 CHKD BY:  
 COPYRIGHT

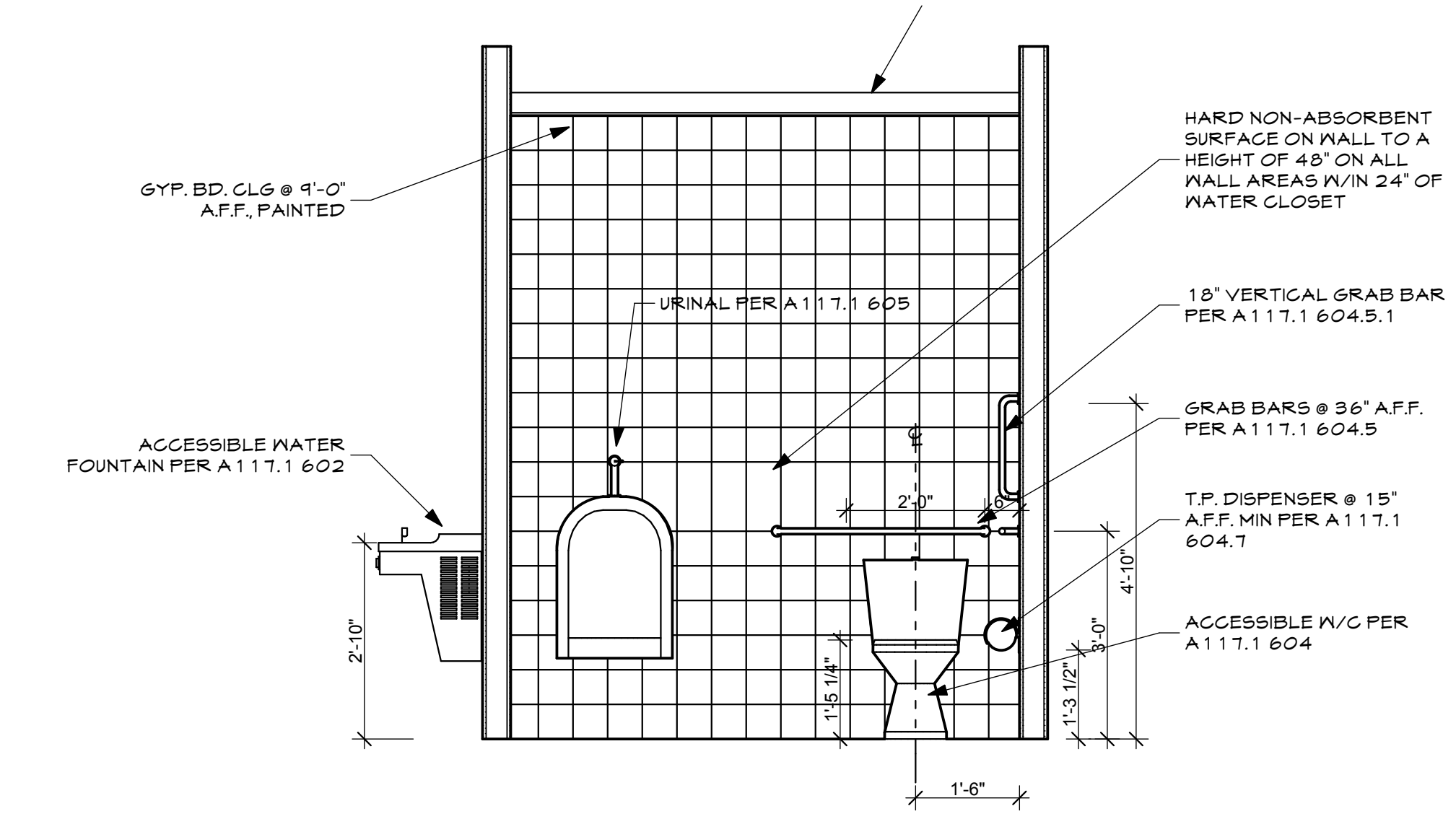
SHEET TITLE  
**ENLARGED RESTROOM**



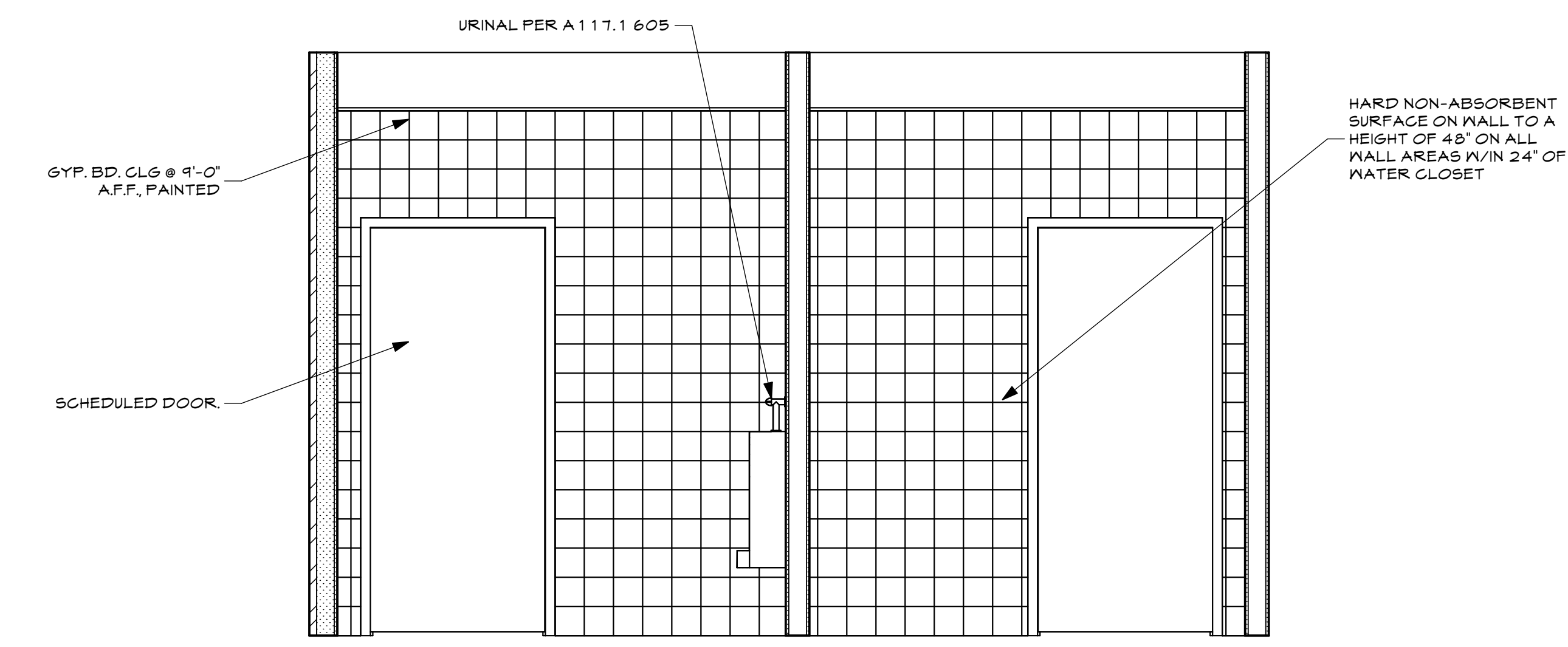
# A-3.1



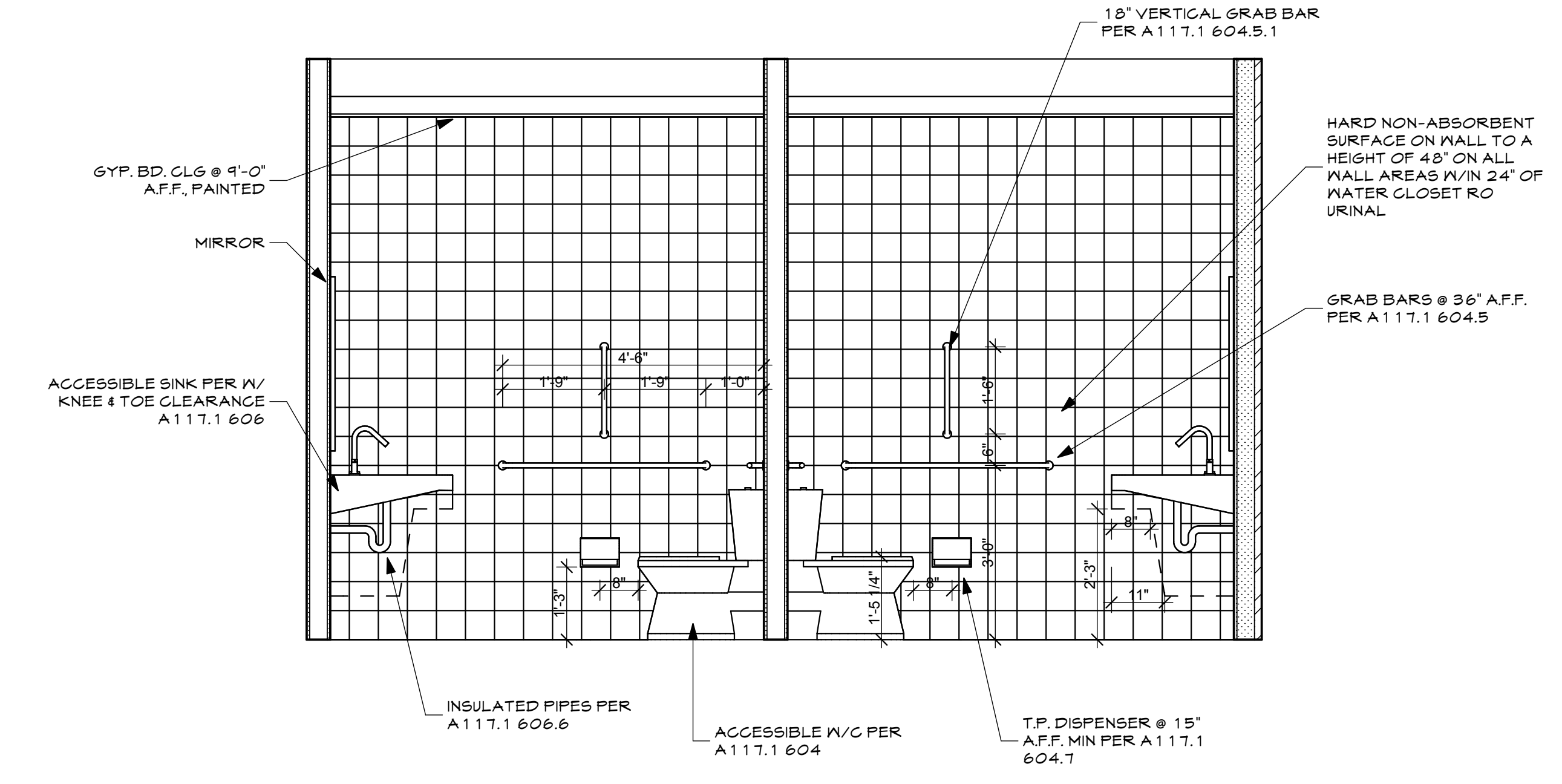
**1 ENLARGED RESTROOM**  
SCALE: 1/2" = 1'-0"



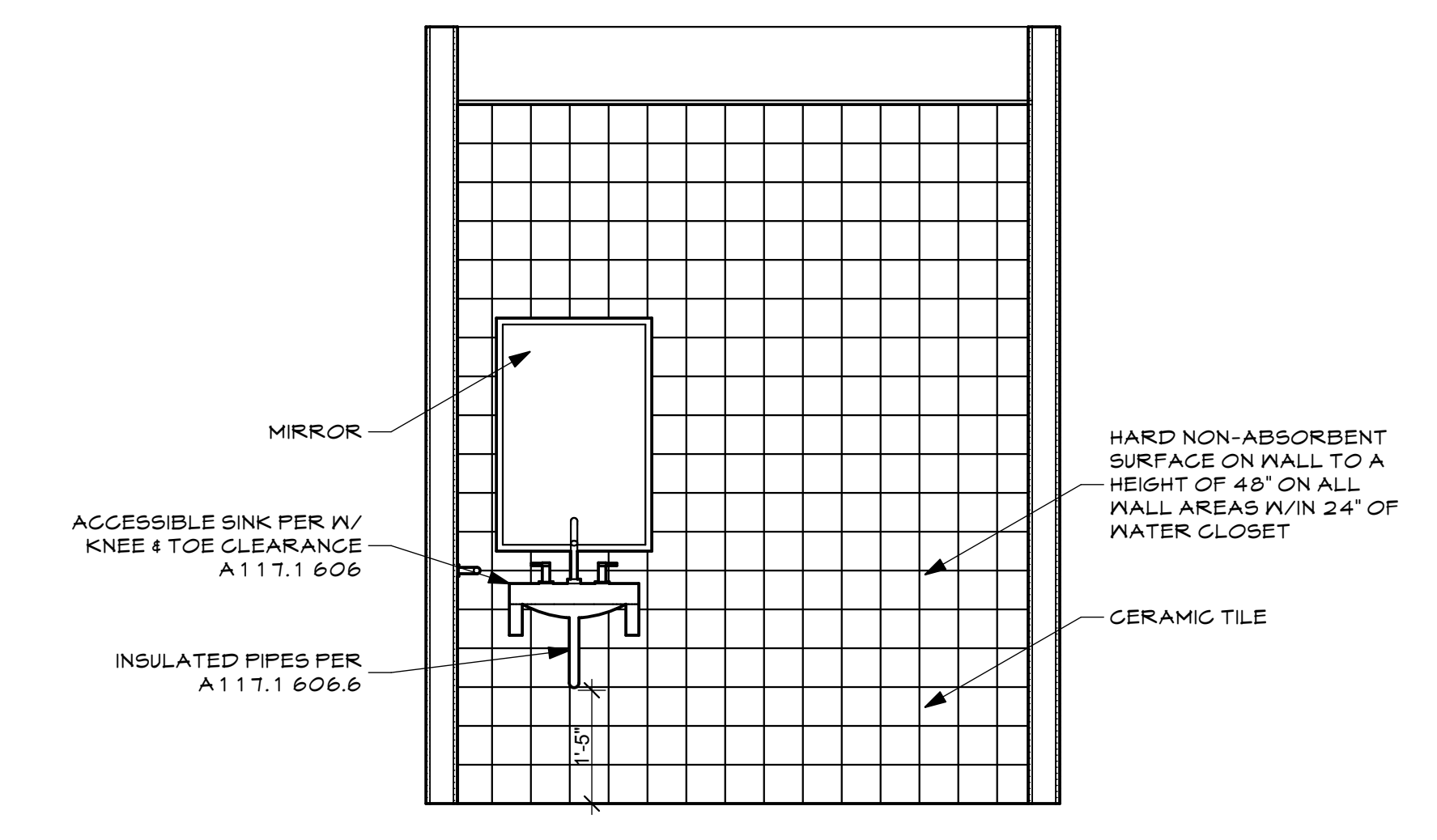
**3 ENLARGED RESTROOM**  
SCALE: 1/2" = 1'-0"



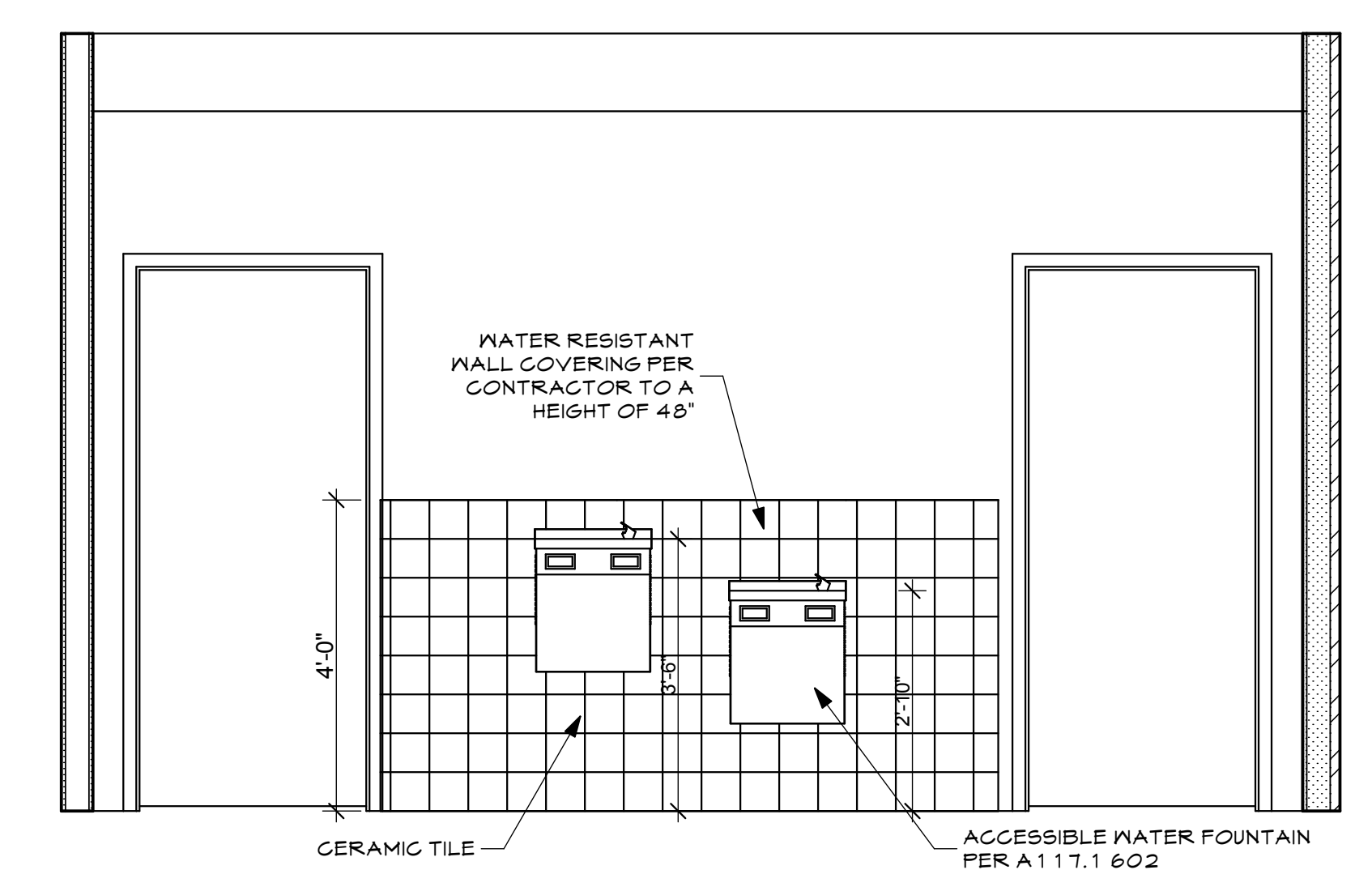
**5 ENLARGED RESTROOM**  
SCALE: 1/2" = 1'-0"



**2 ENLARGED RESTROOM**  
SCALE: 1/2" = 1'-0"



**4 ENLARGED RESTROOM**  
SCALE: 1/2" = 1'-0"



**6 ENLARGED RESTROOM**  
SCALE: 1/2" = 1'-0"