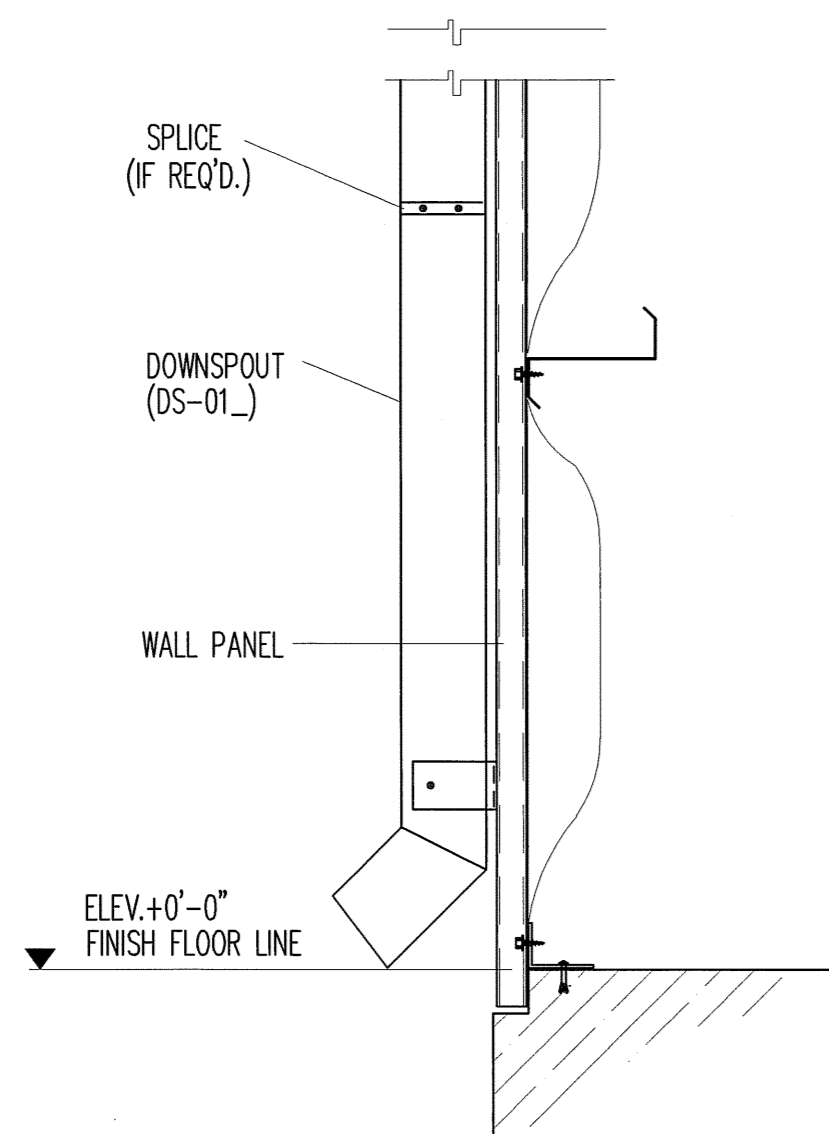
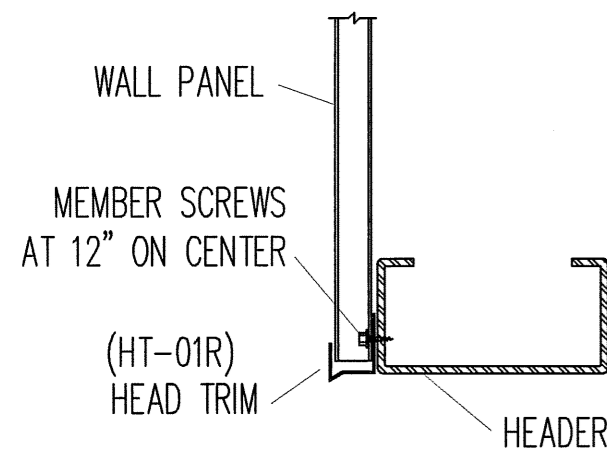


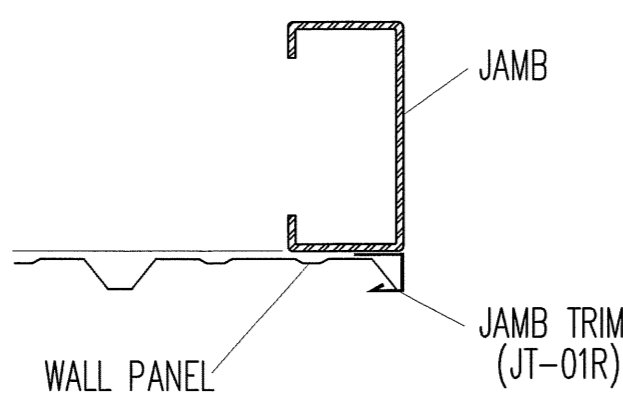
EAVE HEIGHT	QUANTITY
10'-0"	2
12'-0"	2
14'-0"	2
16'-0"	2
20'-0"	2
25'-0"	3



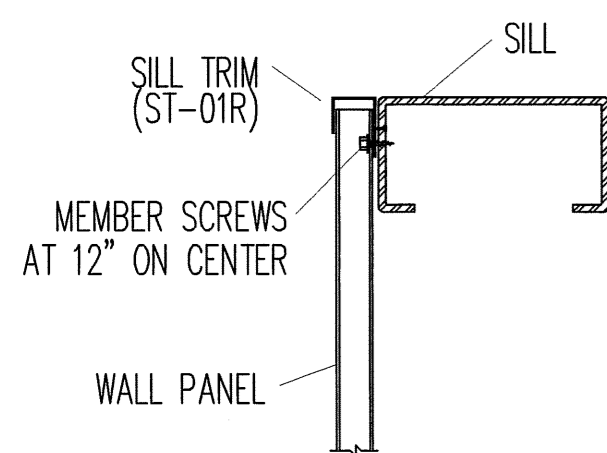
**SCULTURED EAVE GUTTER AND DOWNSPOUT DETAIL AT SHEETED WALL**  
WITH FULLY SHEETED WALL



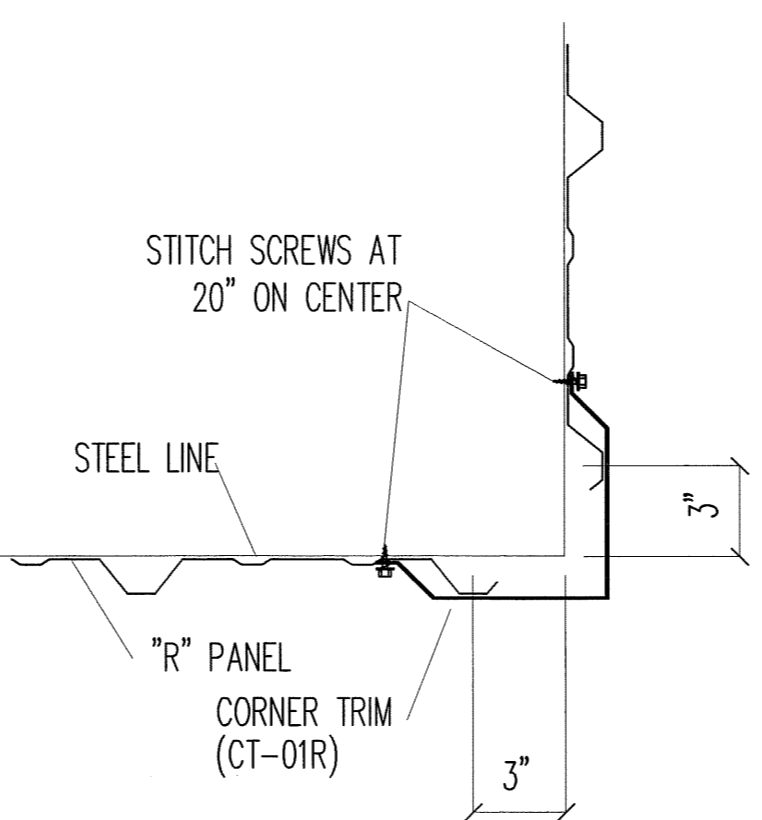
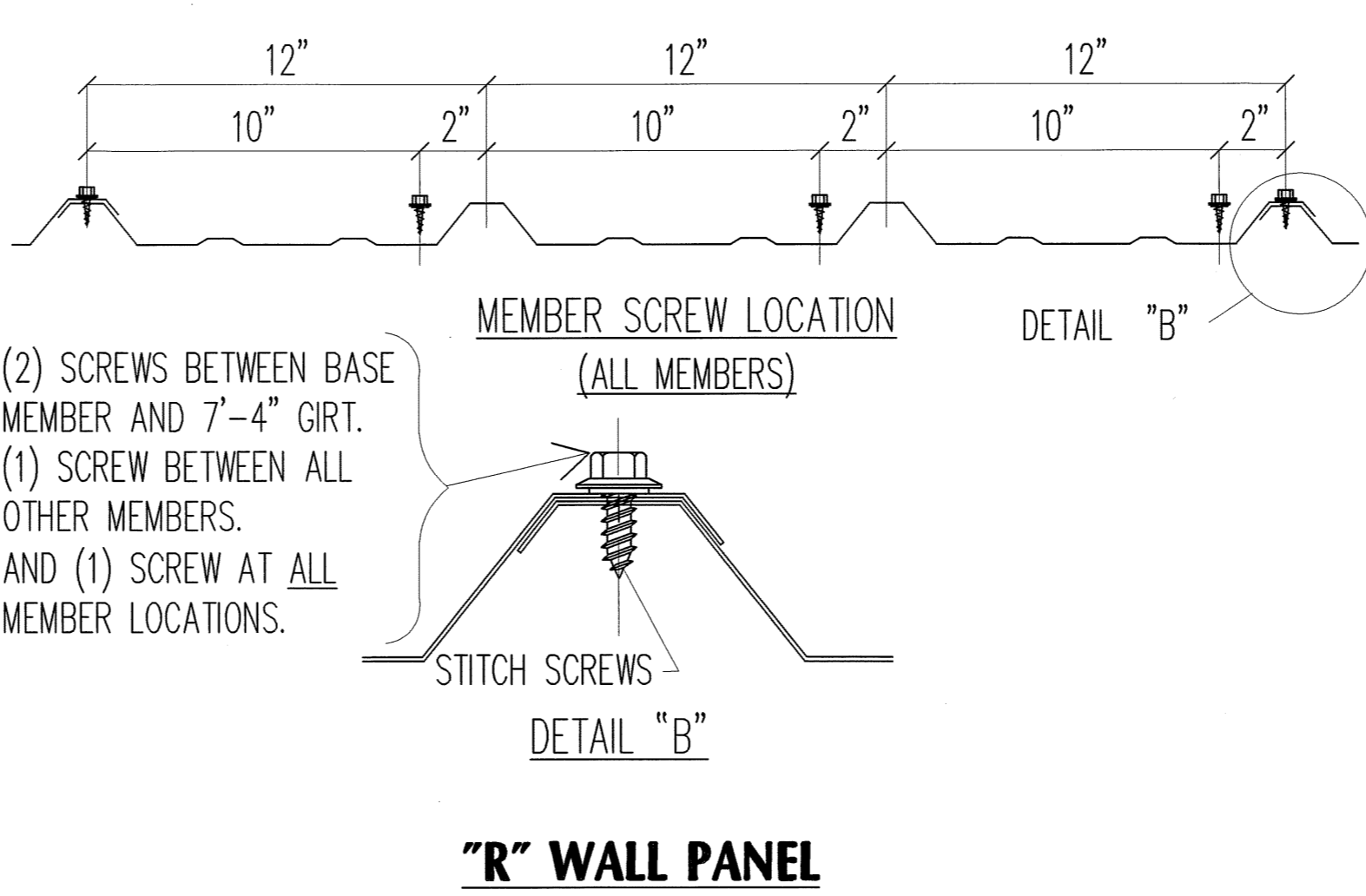
**HEADER DETAIL FOR FRAMED OPENINGS**



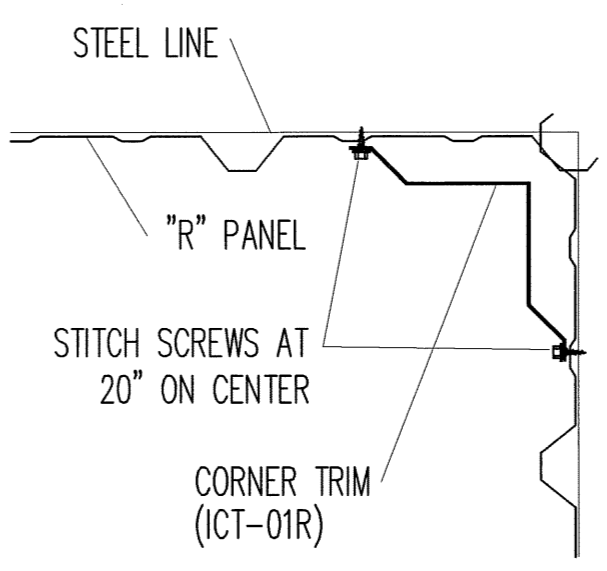
**JAMB DETAIL FOR FRAMED OPENINGS**



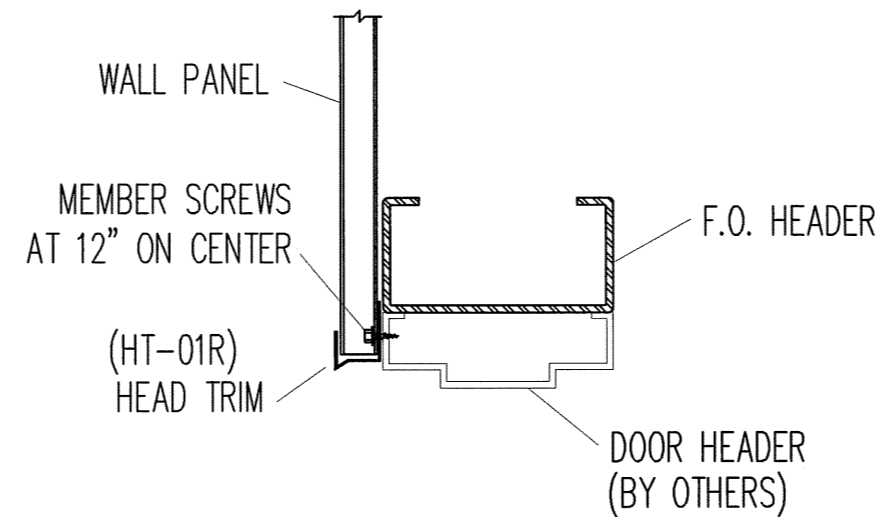
**SILL DETAIL FOR FRAMED OPENINGS**  
(NOT FOR GLASS)



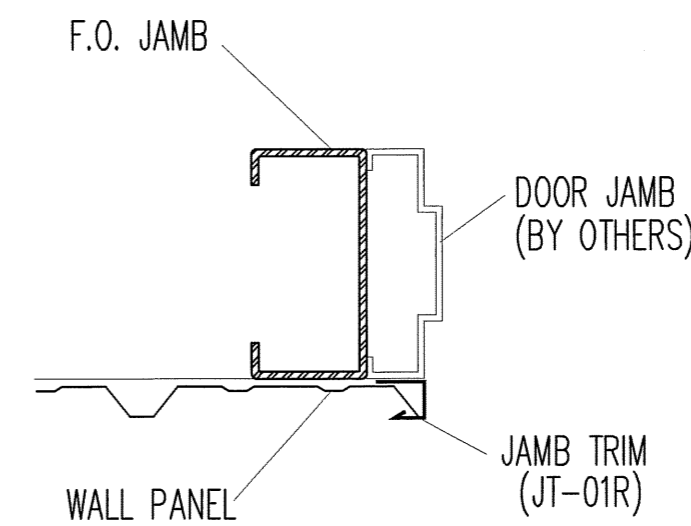
**OUTSIDE CORNER DETAIL**  
OFF MODULE UP TO 3



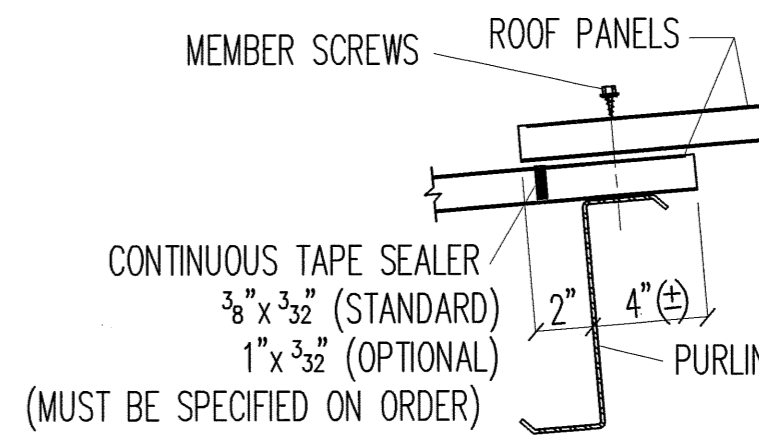
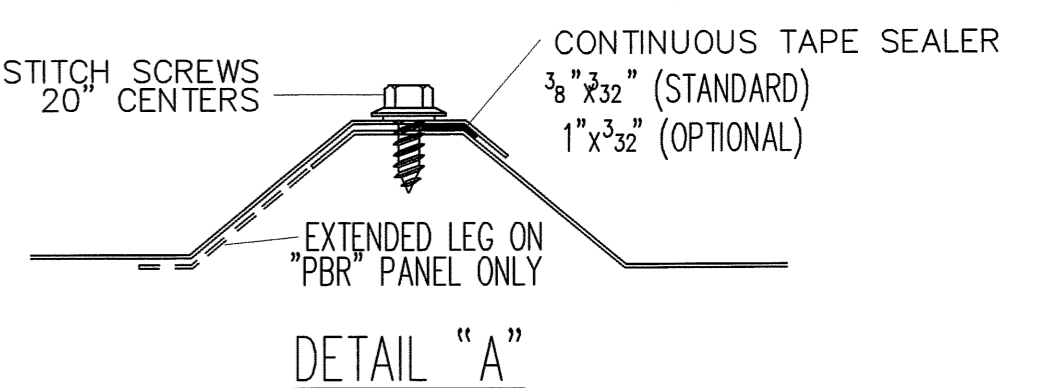
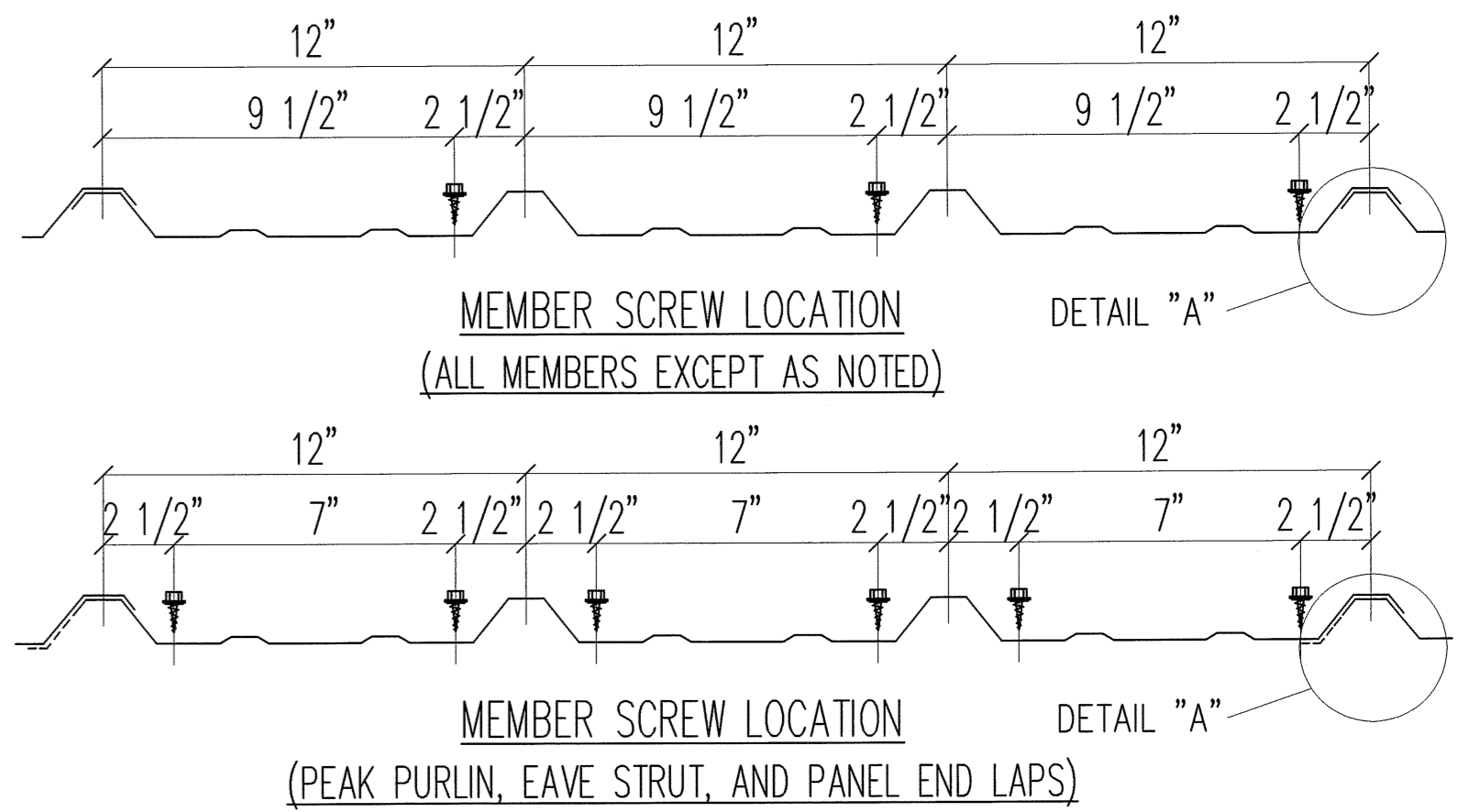
**INSIDE CORNER DETAIL**



**HEADER DETAIL FOR WALK DOOR**  
WALK DOOR WITH FRAMED OPENING



**JAMB DETAIL FOR WALK DOOR**  
WALK DOOR WITH FRAMED OPENING

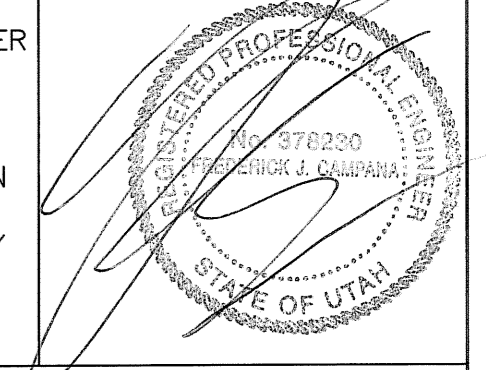


**NOTE!**  
SCREW PATTERNS SHOWN, SATISFY UL-90 REQUIREMENTS FOR ROOF.

**FOR PERMIT**

JUN 10 2008

SEALING OF THIS DRAWING DOES NOT IMPLY OR CONSTITUTE THAT RIGID BUILDINGS ENGINEER IS THE ENGINEER OF RECORD OR THE DESIGN PROFESSIONAL FOR THIS PROJECT. ONLY THE DESIGN OF THE METAL BUILDING SYSTEM AS FURNISHED BY RIGID IS INCLUDED. FOUNDATION ANALYSIS, ELECTRICAL, AND MECHANICAL SYSTEMS, AND/OR OTHER PARTS SUPPLIED BY ANYONE OTHER THAN RIGID ARE SPECIFICALLY EXCLUDED. NO INSPECTION OR SUPERVISION IS IMPLIED.



ISSUE	REV.	DESCRIPTION	DATE	DRN.	DES.
A		CONFIRMATION	05.20.08	FFF	LDD

**RIGID BUILDING SYSTEMS**  
18933 Aldine Westfield  
Houston, Tx. 77073  
Phone : (281) 443-9065  
Fax : (281) 443-9064

DESCRIPTION	DETAIL PAGE
CUSTOMER	ELEGANTE ENTERPRISES, INC
END USER	PAINTERS SERVICE CENTER
END USE	OFFICE/SERVICE BAYS
LOCATION	1600 HILTON DR. ST. GEORGE, UT 84770
DRN. BY: FFF	DATE: 05/20/08
CHK. BY:	DATE:
JOB NO.: 28268-D	SCALE: N.T.S.
DWG. NO.: E13 OF	ISSUE: A