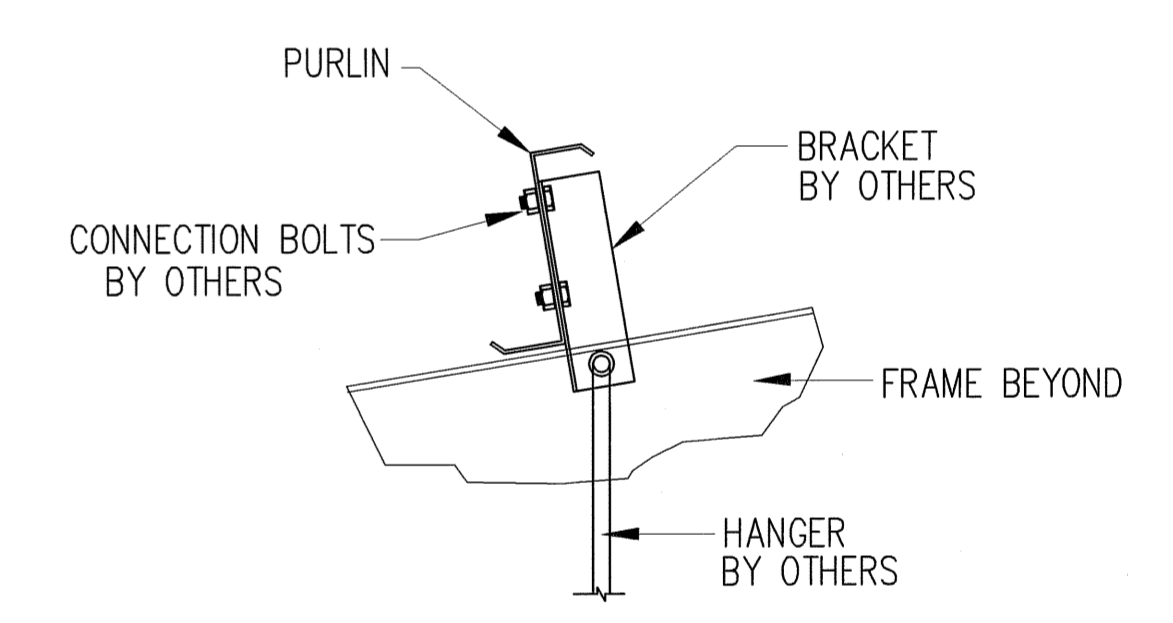


**ROOF FRAMING PLAN**  
NOTE: ROOF INSULATIONS BY OTHERS.

EXTENSION/CANOPY BOLTS				
ROOF PLAN				
MARK	QUAN	TYPE	DIA	LENGTH
EB-1	4	A325	3/4"	2"
EB-2	4	A325	3/4"	2"
EB-4	2	A325	1/2"	1 3/4"
EB-6	4	A325	7/8"	2 3/4"
EB-7	4	A325	7/8"	2 3/4"
EB-8	4	A325	7/8"	2 3/4"
EB-9	4	A325	1"	2 3/4"
EB-10	4	A325	7/8"	2 3/4"

MEMBER TABLE		
ROOF PLAN		
MARK	PART	LENGTH
EB-1	BEAM	10'-0" 1/8"
EB-2	BEAM	10'-0" 1/8"
EB-3	10x30C14	13'-2" 7/8"
EB-4	W10x22	13'-2" 15/16"
EB-5	10x30C14	13'-2" 7/8"
EB-6	W12x22	10'-6" 1/8"
EB-7	W12x22	10'-6" 1/8"
EB-8	W12x22	9'-4" 1/8"
EB-9	W12x26	9'-4" 1/8"
EB-10	W12x22	9'-4" 1/8"
P-1	10x25Z16	14'-2"
P-2	10x25Z16	32'-6"
P-3	10x25Z16	27'-6"
P-4	10x25Z16	14'-2"
P-5	10x25Z14	38'-6"
P-6	10x25Z14	33'-6"
P-7	10x25Z16	20'-6"
P-8	10x25Z14	25'-6"
P-12	10x25Z16	10'-4"
P-13	10x25Z14	10'-4"
E-1	L10ES16	37'-5" 1/2"
E-2	L10ES16	32'-5" 1/2"
E-3	H10ES16	20'-6"
E-4	H10ES16	25'-6"
E-5	L10ES16	37'-5" 1/2"
E-6	L10ES16	32'-5" 1/2"
E-7	10x25C16	32'-0" 3/4"
E-8	10x25C16	37'-0" 3/4"
E-9	L10ES16	10'-4"
CB-1	CB0250	33'-6"



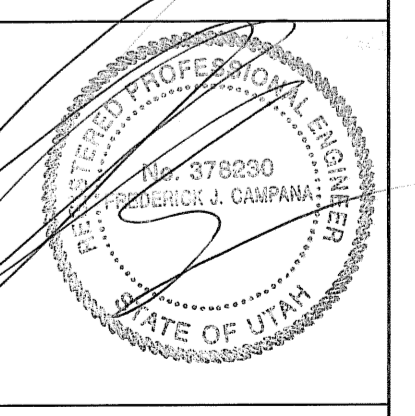
**NOTE:**  
COLLATERAL LOAD MUST BE SUSPENDED FROM THE WEB OF PURLINS AND NOT FROM THE PURLIN FLANGE.

**TYP. COLLATERAL LOAD FIXING DETAIL**  
STL26A

**FOR PERMIT**

JUN 1 0 2008

SEALING OF THIS DRAWING DOES NOT IMPLY OR CONSTITUTE THAT RIGID BUILDINGS ENGINEER IS THE ENGINEER OF RECORD OR THE DESIGN PROFESSIONAL FOR THIS PROJECT. ONLY THE DESIGN OF THE METAL BUILDING SYSTEM AS FURNISHED BY RIGID IS INCLUDED. FOUNDATION ANALYSIS, ELECTRICAL, AND MECHANICAL SYSTEMS, AND/OR OTHER PARTS SUPPLIED BY ANYONE OTHER THAN RIGID ARE SPECIFICALLY EXCLUDED. NO INSPECTION OR SUPERVISION IS IMPLIED.



ISSUE	REV.	DESCRIPTION	DATE	DRN.	DES.
A		CONFIRMATION	05.20.08	FFF	LDD

**RIGID**  
BUILDING SYSTEMS  
18933 Aldine Westfield  
Houston, Tx. 77073  
Phone : (281) 443-9065  
Fax : (281) 443-9064

DESCRIPTION	<b>ROOF FRAMING PLAN</b>		
CUSTOMER	ELEGANTE ENTERPRISES, INC.		
END USER	PAINTERS SERVICE CENTER		
END USE	OFFICE/SERVICE BAYS		
LOCATION	1600 HILTON DR. ST. GEORGE, UT 84770		
DRN. BY:	FFF	DATE:	05/20/08
JOB NO.:	28268-D	SCALE:	N.T.S.
CHK. BY:		DWG. NO.:	E1 OF
DATE:		ISSUE:	A