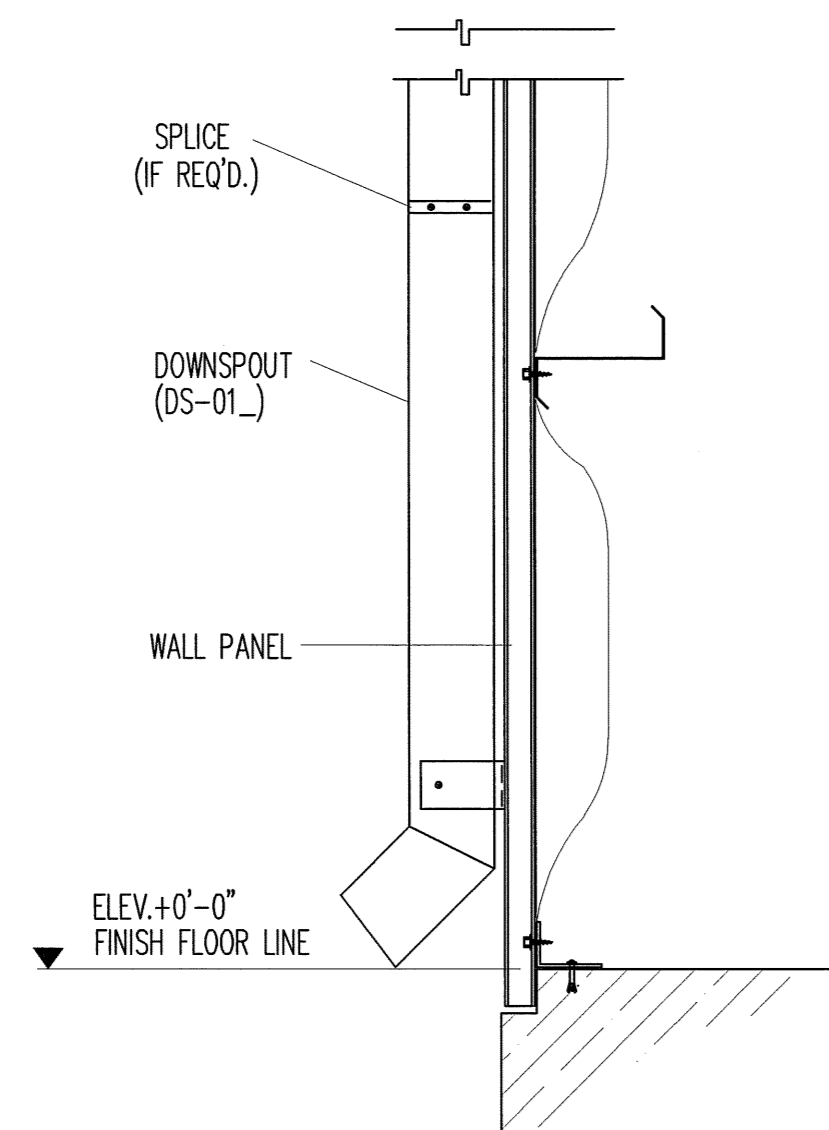
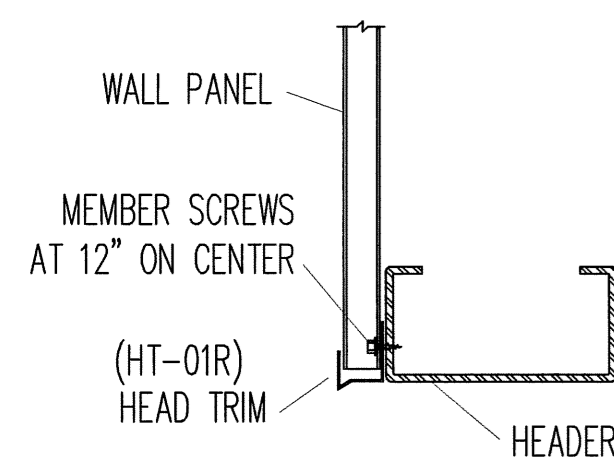


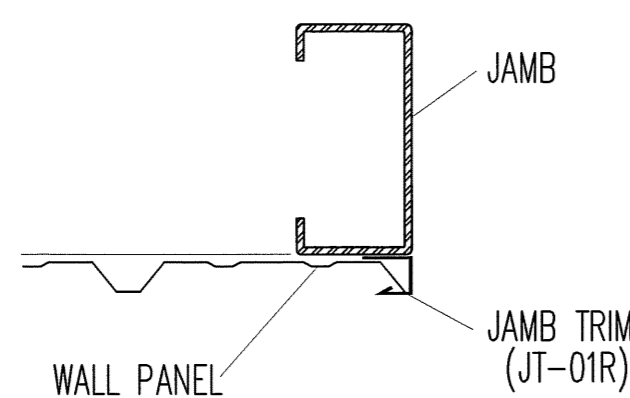
D.S. STRAP QUANTITY	EAVE HEIGHT	QUANTITY
	10'-0"	2
	12'-0"	2
	14'-0"	2
	16'-0"	2
	20'-0"	2
	25'-0"	3



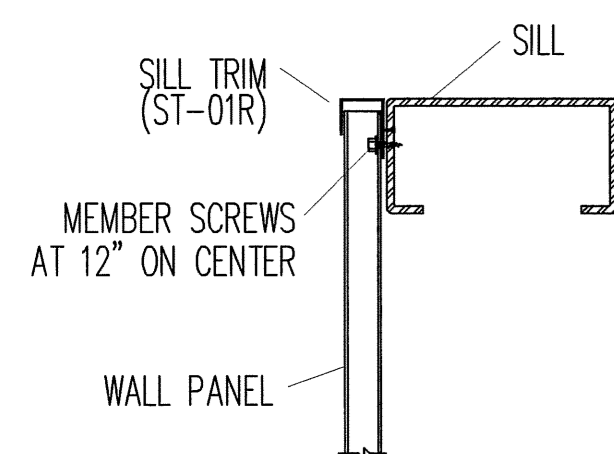
SCULPTURED EAVE GUTTER AND DOWNSPOUT DETAIL AT SHEETED WALL WITH FULLY SHEETED WALL



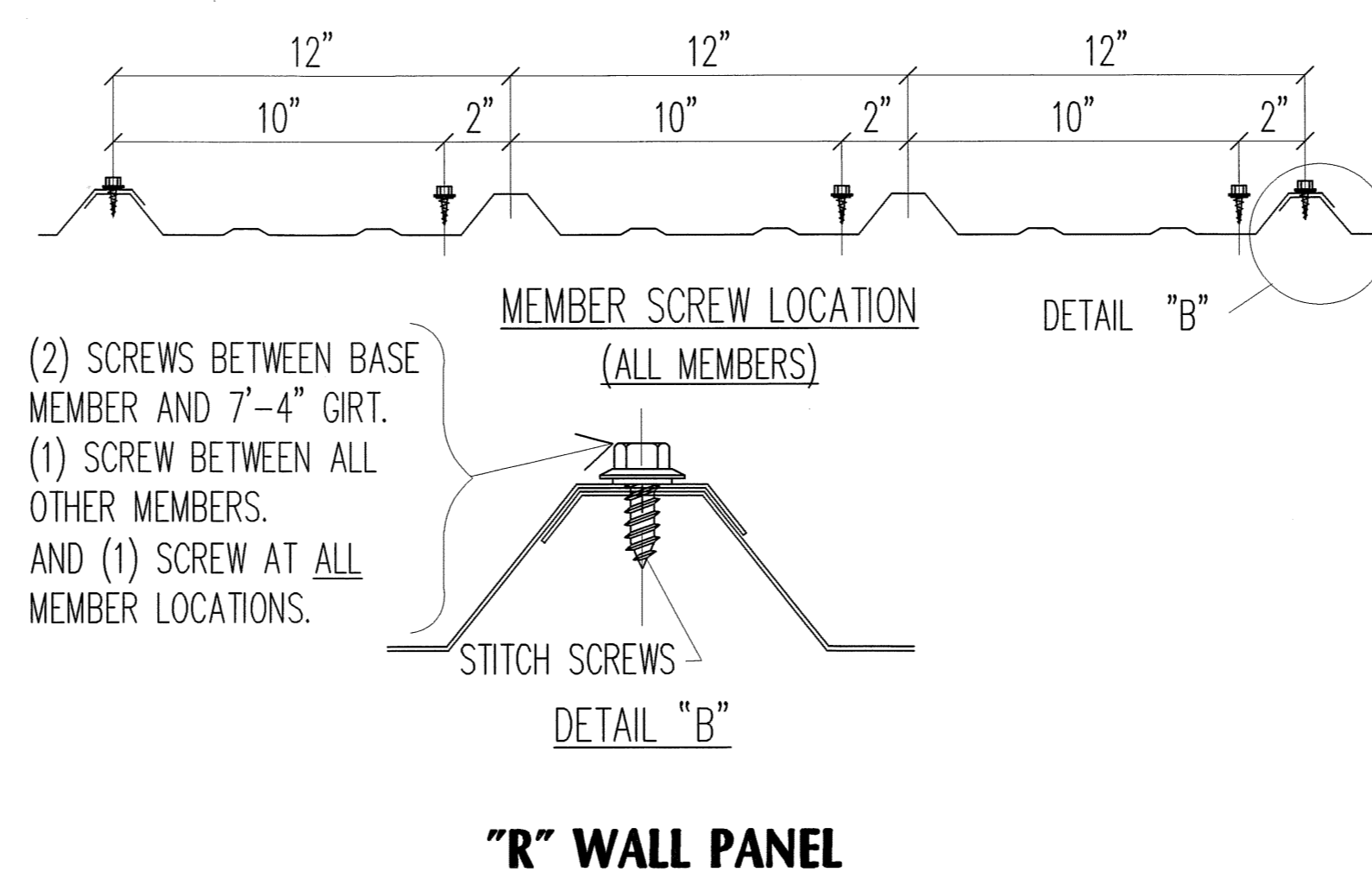
HEADER DETAIL FOR FRAMED OPENINGS



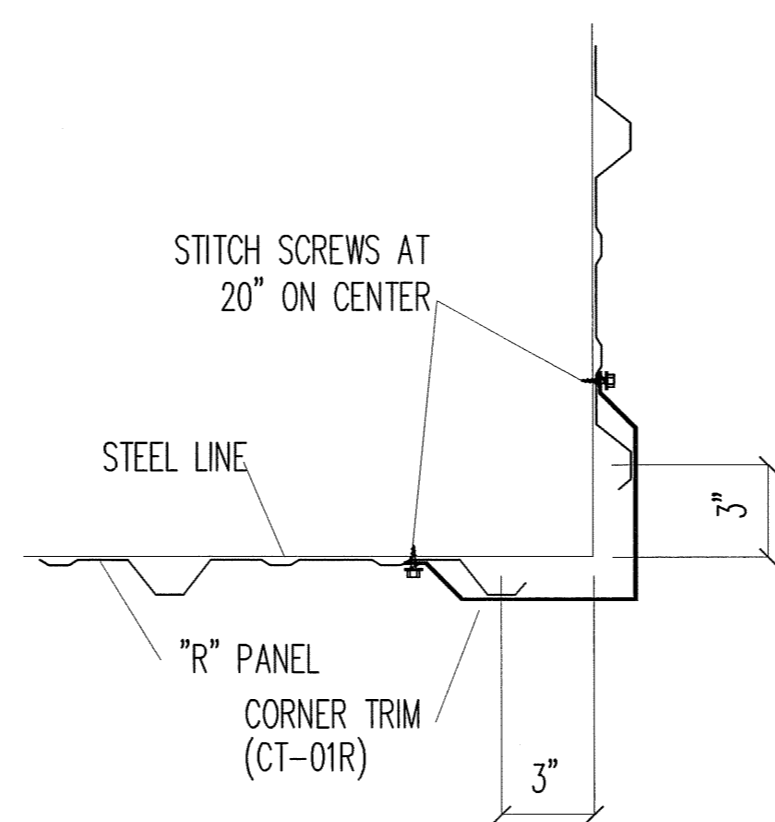
JAMB DETAIL FOR FRAMED OPENINGS



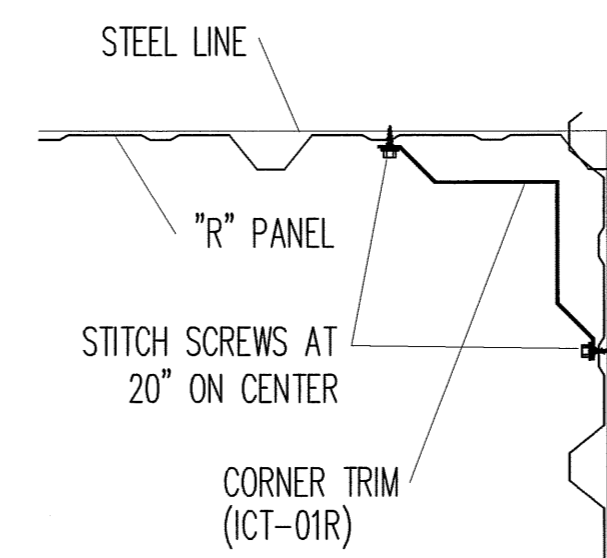
SILL DETAIL FOR FRAMED OPENINGS (NOT FOR GLASS)



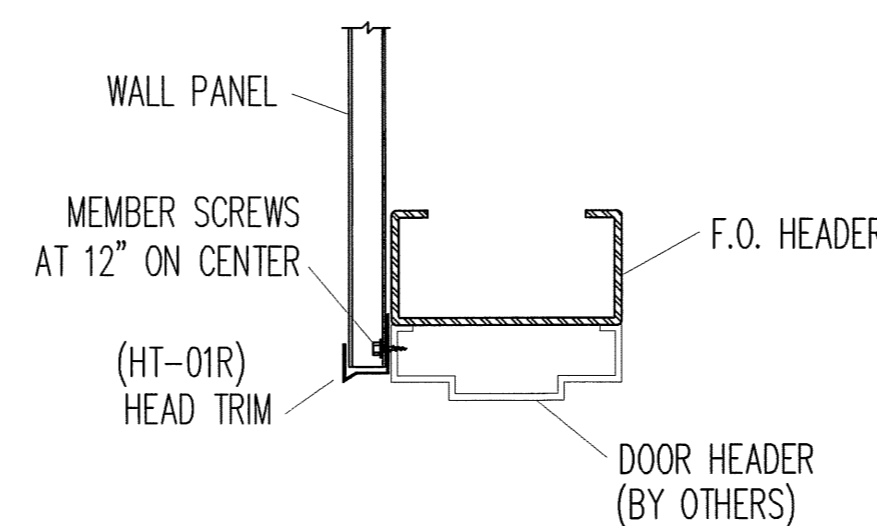
(2) SCREWS BETWEEN BASE MEMBER AND 7'-4" GIRT.
(1) SCREW BETWEEN ALL OTHER MEMBERS.
AND (1) SCREW AT ALL MEMBER LOCATIONS.



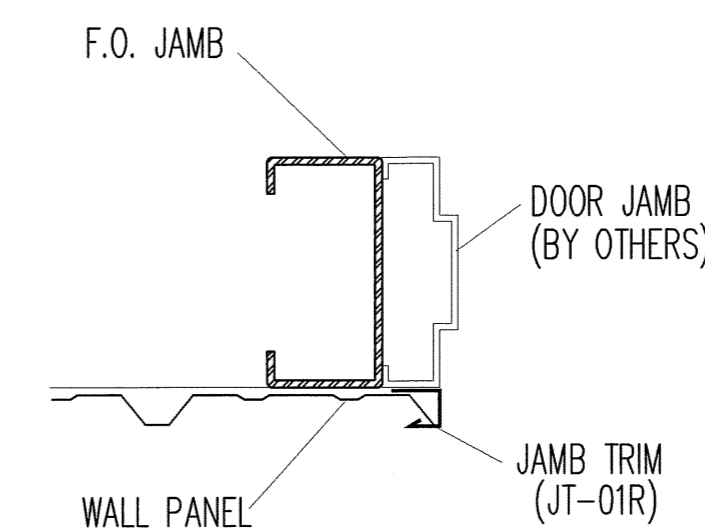
OUTSIDE CORNER DETAIL
OFF MODULE UP TO 3



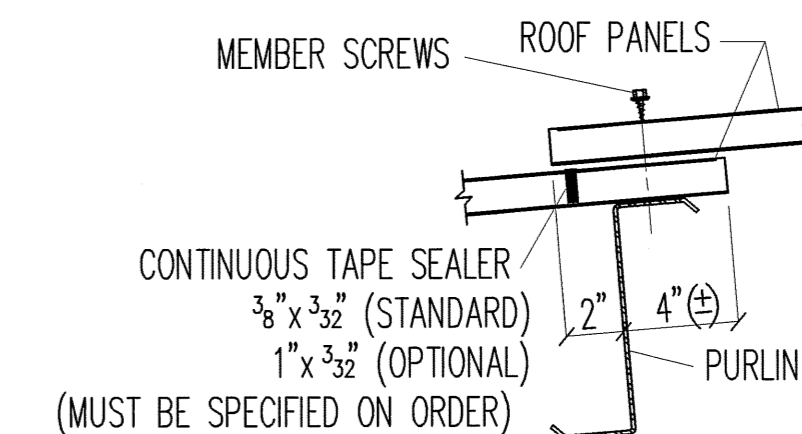
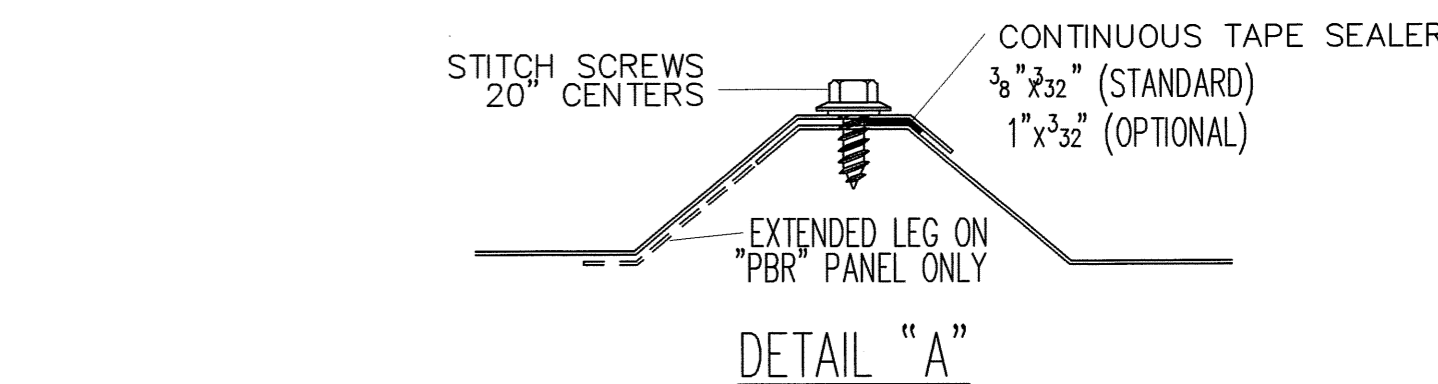
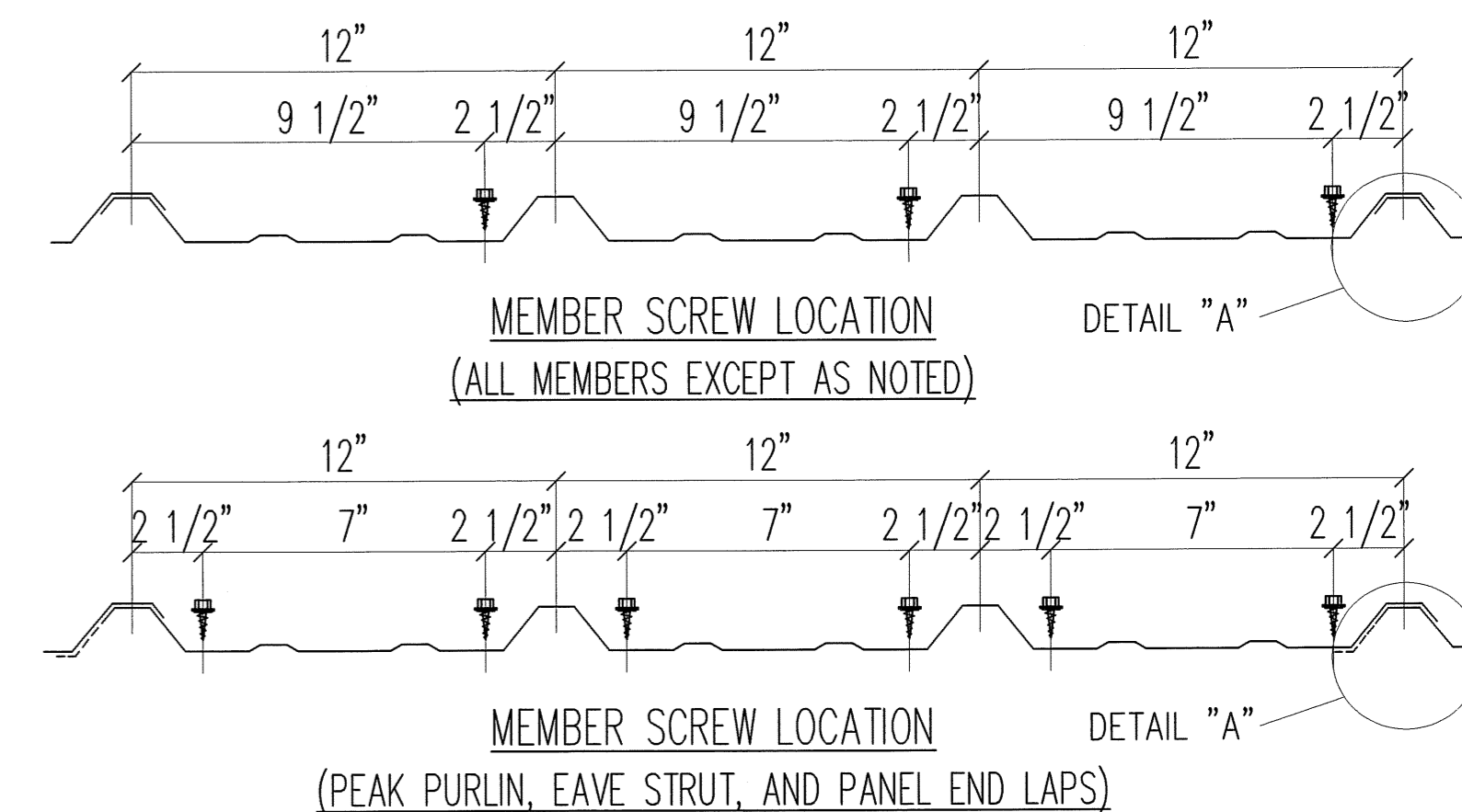
INSIDE CORNER DETAIL



HEADER DETAIL FOR WALK DOOR
WALK DOOR WITH FRAMED OPENING



JAMB DETAIL FOR WALK DOOR
WALK DOOR WITH FRAMED OPENING



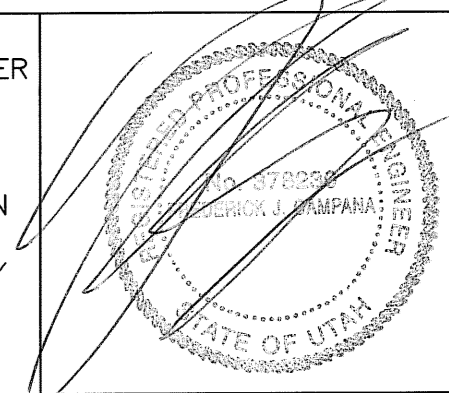
SECTION THRU PEAK PURLIN AND PANEL END LAPS

NOTE!
SCREW PATTERNS SHOWN,
SATISFY UL-90
REQUIREMENTS FOR ROOF.

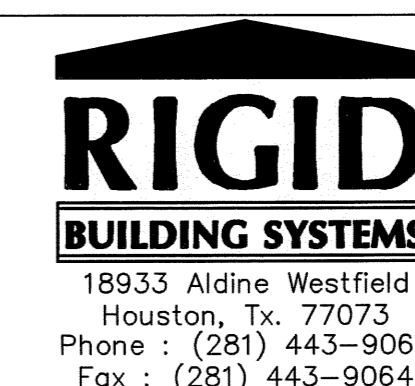
FOR PERMIT

JUN 1 0 2008

SEALING OF THIS DRAWING DOES NOT IMPLY OR CONSTITUTE THAT RIGID BUILDINGS ENGINEER IS THE ENGINEER OF RECORD OR THE DESIGN PROFESSIONAL FOR THIS PROJECT. ONLY THE DESIGN OF THE METAL BUILDING SYSTEM AS FURNISHED BY RIGID IS INCLUDED. FOUNDATION SYSTEMS, AND/OR OTHER PARTS SUPPLIED BY ANYONE OTHER THAN RIGID ARE SPECIFICALLY EXCLUDED. NO INSPECTION OR SUPERVISION IS IMPLIED.



ISSUE	REV.	DESCRIPTION	DATE	DRN.	DES.
A		CONFIRMATION	05.20.08	FFF	LDD



DESCRIPTION	DETAIL PAGE
CUSTOMER	ELEGANTE ENTERPRISES, INC.
END USER	PAINTERS SERVICE CENTER
END USE	OFFICE/SERVICE BAYS
LOCATION	1600 HILTON DR. ST. GEORGE, UT 84770
DRN. BY:	FFF
DATE:	05/20/08
CHK. BY:	
JOB NO.:	28268-C
SCALE:	N.T.S.
DWG. NO.:	E11 OF
ISSUE:	A