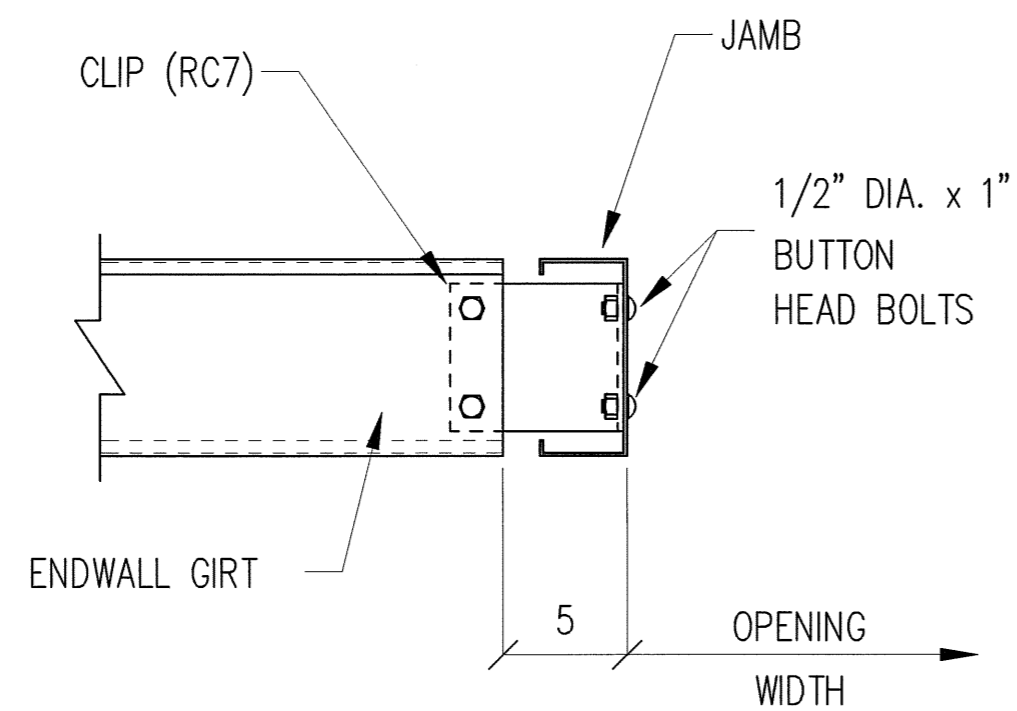
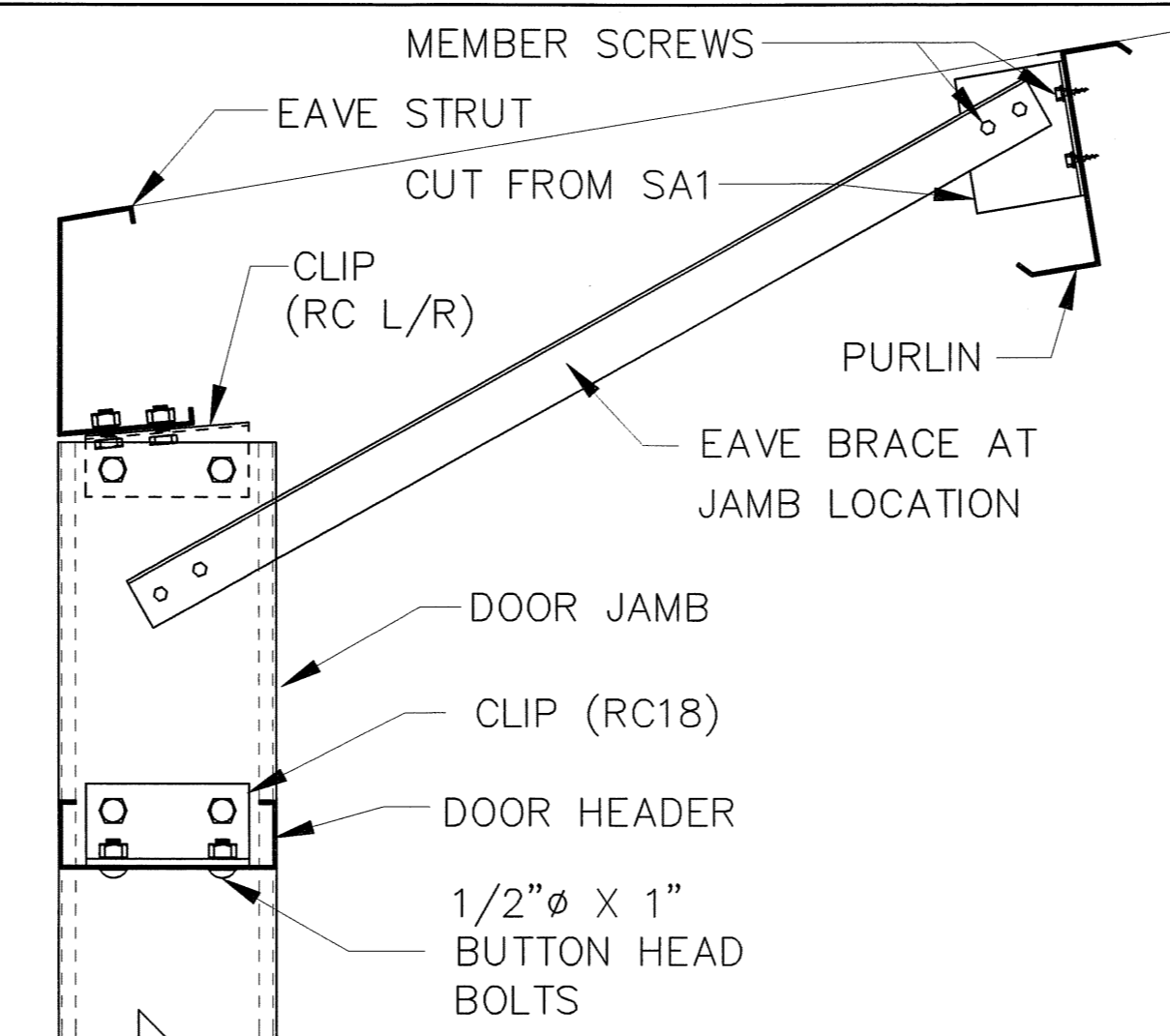


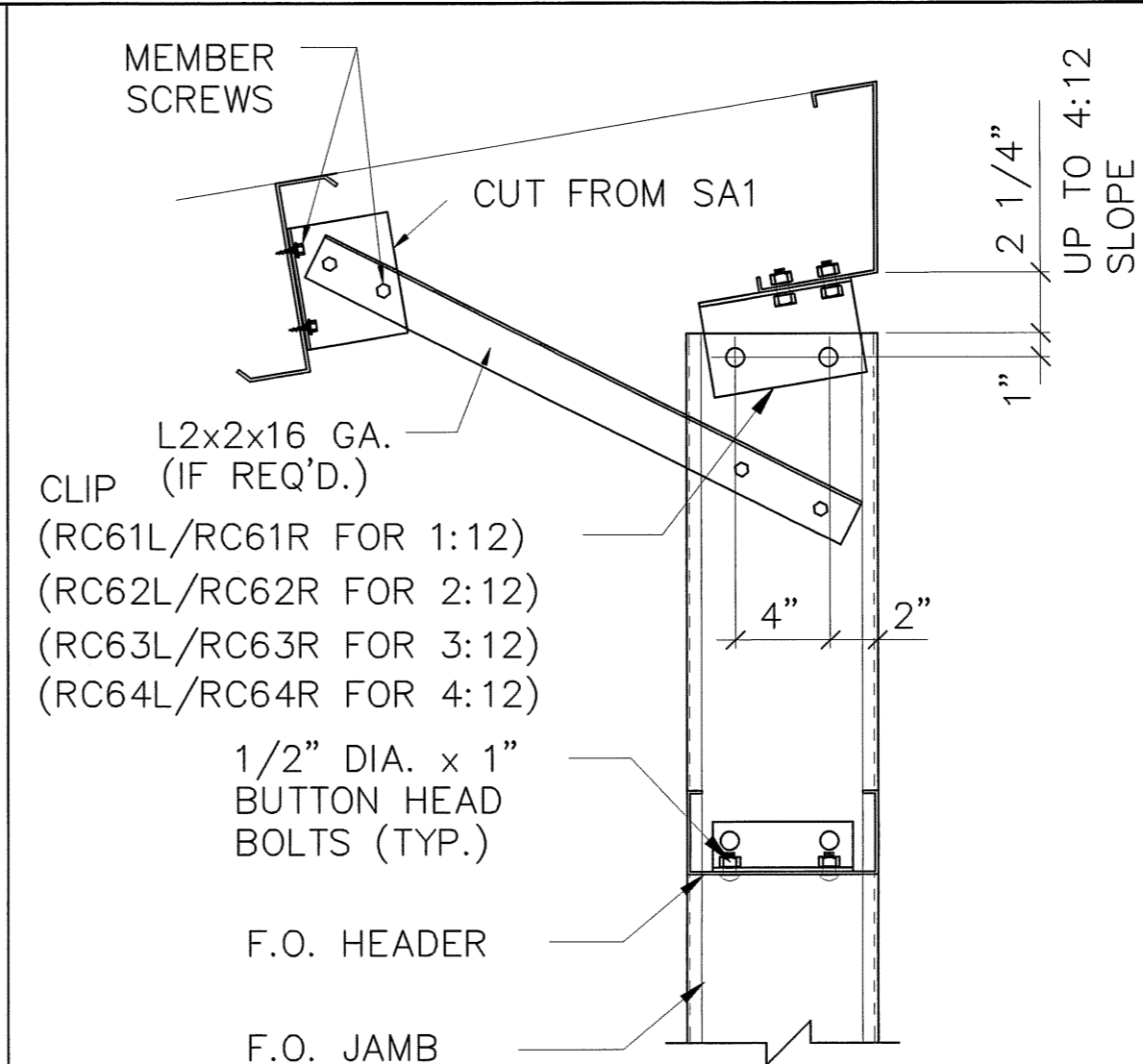
**J7 HIGH EAVE DETAIL (FLUSH CONDITION)**



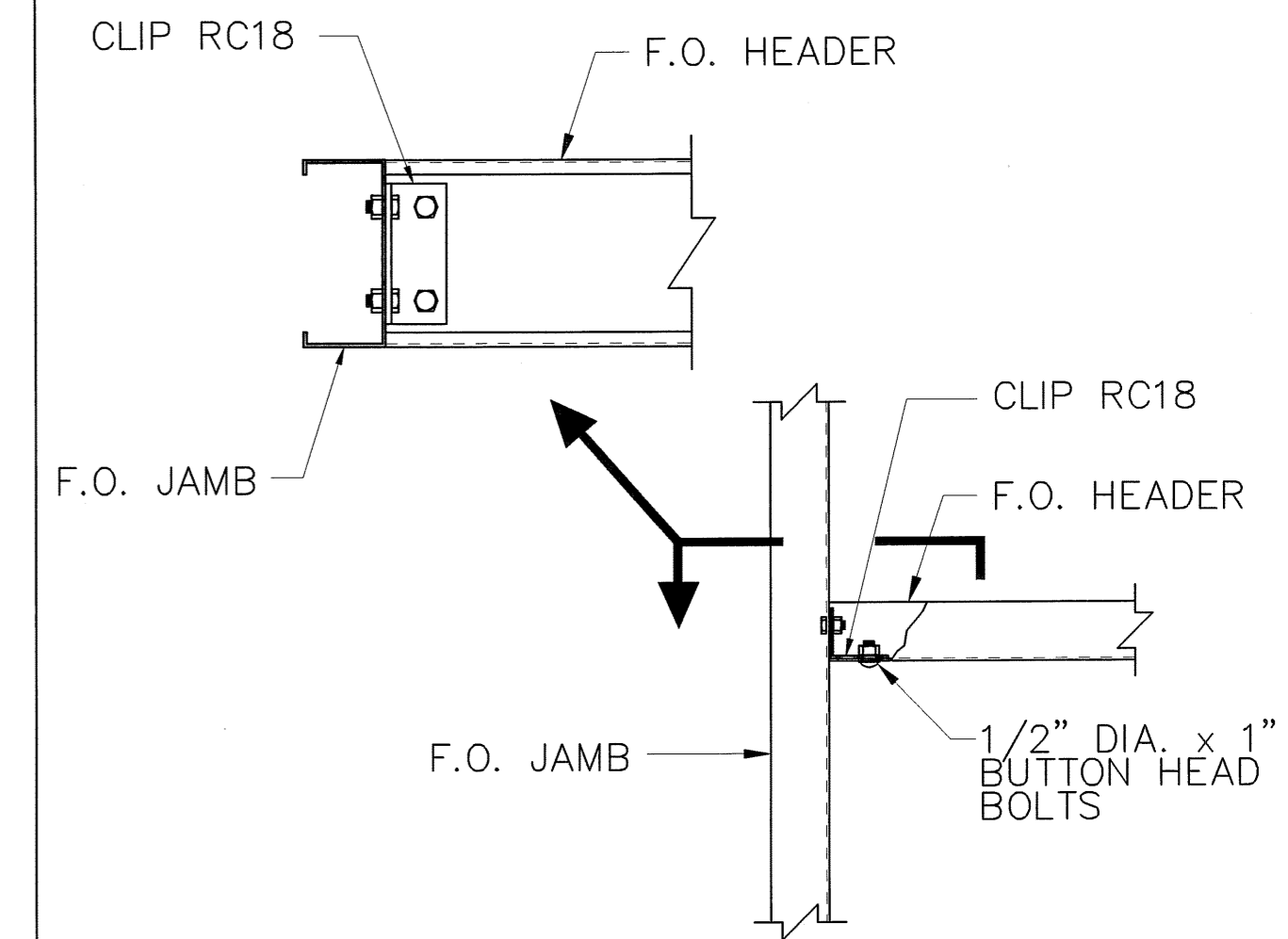
**K2 GIRT TO F.O. JAMB**  
ALL BOLTS ARE 1/2" x 1" MACHINE BOLTS U.N.



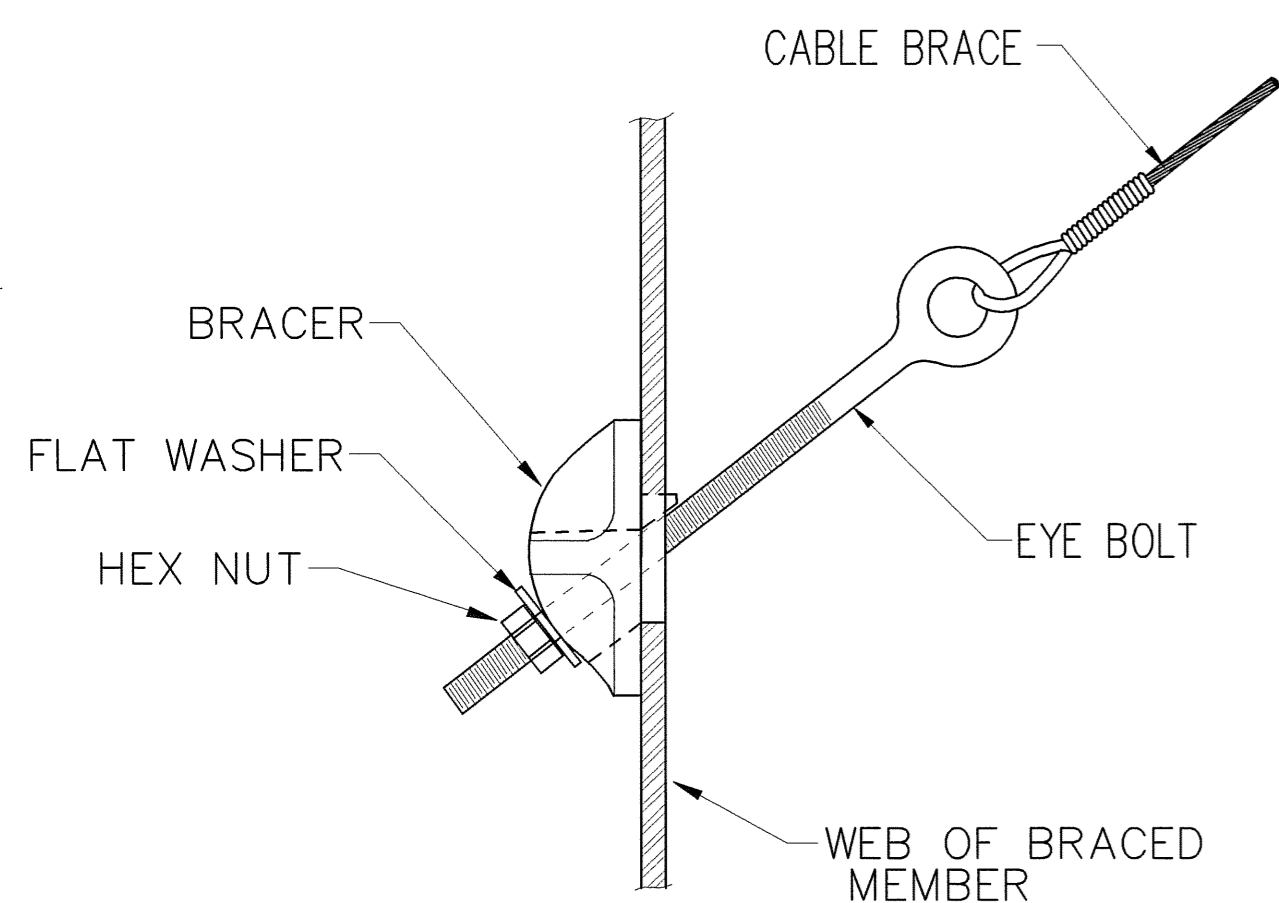
**L1 F.O. JAMB TO EAVE STRUT CONNECTION FOR OVERHEAD DOOR, ROLL-UP DOOR**  
ALL BOLTS ARE 1/2" x 1" MACHINE BOLTS U.N.



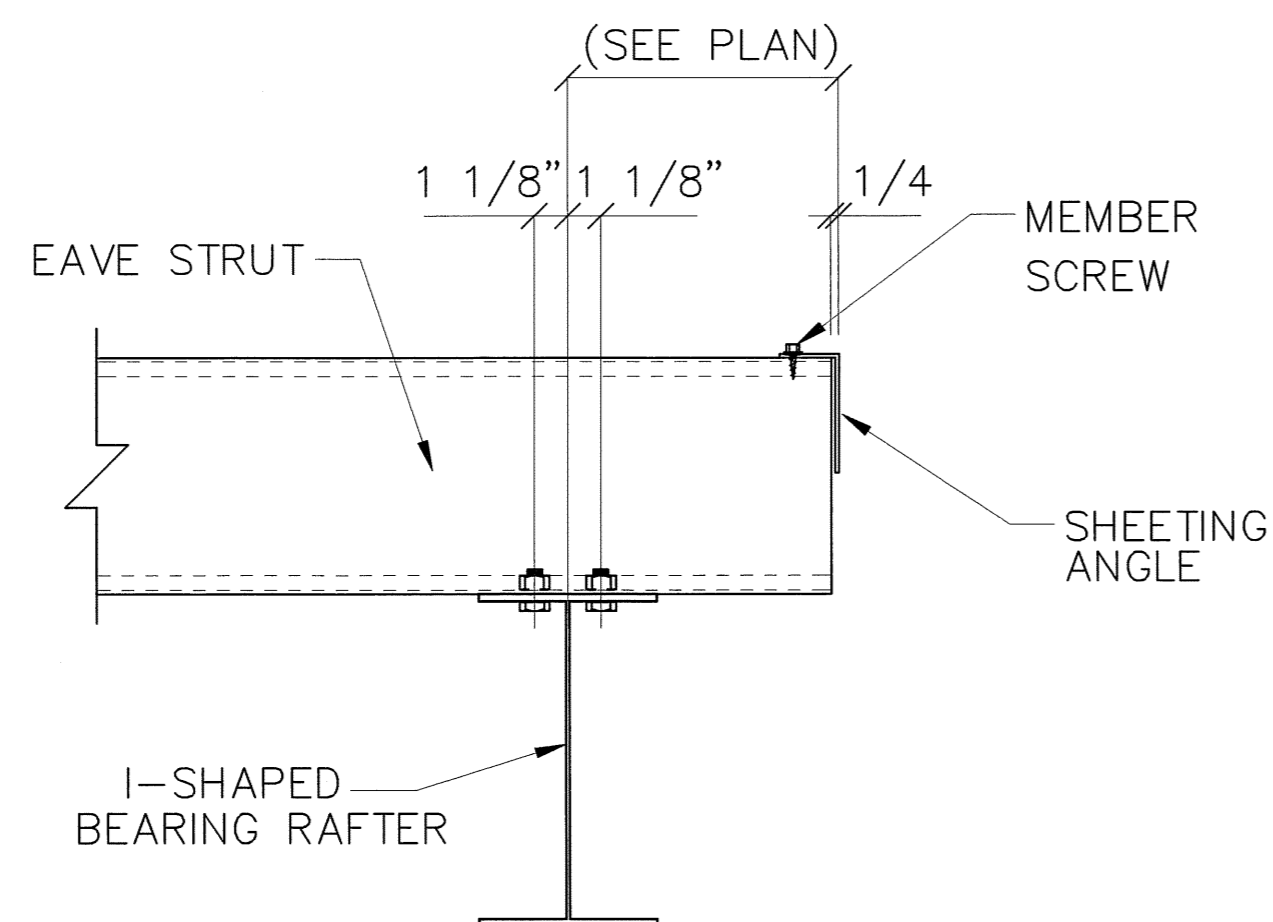
**L14 F.O. JAMB TO EAVE STRUT CONNECTION FOR OVERHEAD DOOR, ROLL-UP DOOR**  
ALL BOLTS ARE 1/2" x 1" MACHINE BOLTS U.N.



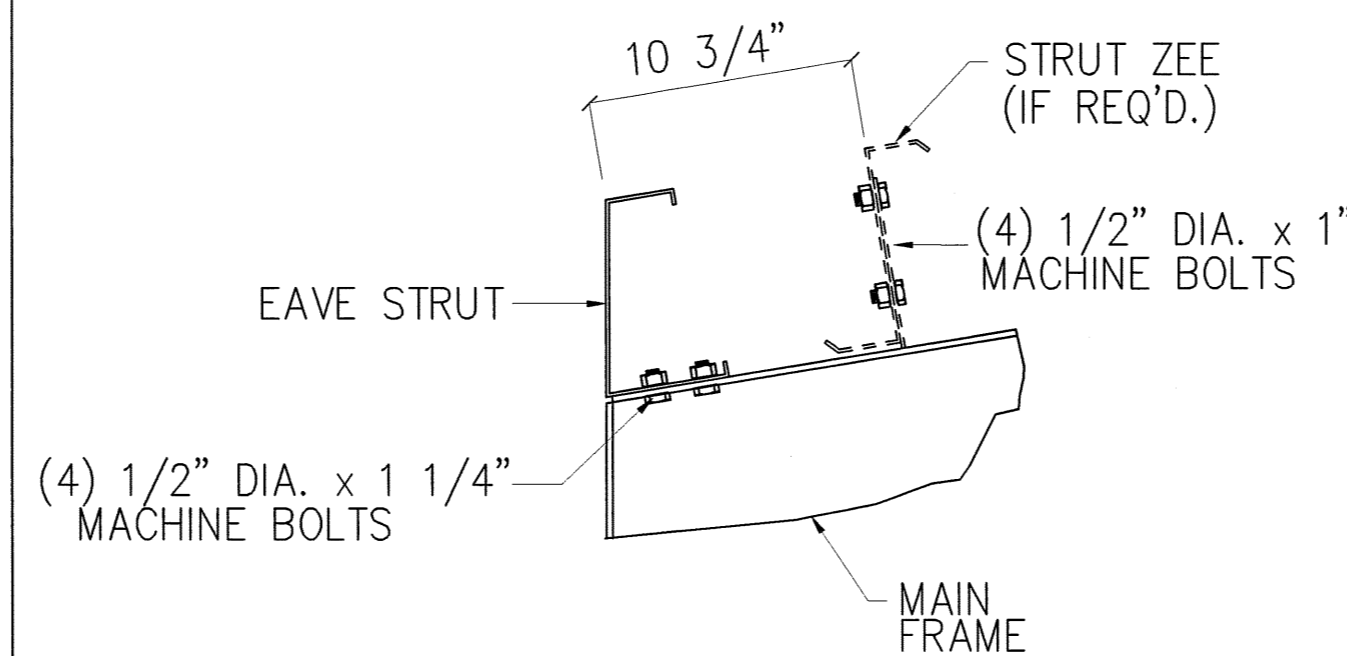
**M1 F.O. HEADER TO F.O. JAMB**  
ALL BOLTS ARE 1/2" x 1" MACHINE BOLTS U.N.



**Q2 DIAGONAL CABLE, EYEBOLT END**



**I17 END BAY EAVE STRUT TO RAFTER**  
ALL BOLTS ARE 1/2" x 1 1/4" MACHINE BOLTS

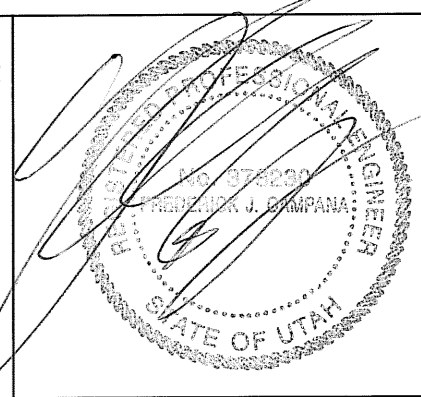


**J1 LOW EAVE DETAIL (FLUSH CONDITION)**

**FOR PERMIT**

JUN 1 0 2008

SEALING OF THIS DRAWING DOES NOT IMPLY OR CONSTITUTE THAT RIGID BUILDINGS ENGINEER IS THE ENGINEER OF RECORD OR THE DESIGN PROFESSIONAL FOR THIS PROJECT. ONLY THE DESIGN OF THE METAL BUILDING SYSTEM AS FURNISHED BY RIGID IS INCLUDED. FOUNDATION ANALYSIS, ELECTRICAL, AND MECHANICAL SYSTEMS, AND/OR OTHER PARTS SUPPLIED BY ANYONE OTHER THAN RIGID ARE SPECIFICALLY EXCLUDED. NO INSPECTION OR SUPERVISION IS IMPLIED.



ISSUE	REV.	DESCRIPTION	DATE	DRN. DES.
A		CONFIRMATION	05.20.08	FFF LDD

**RIGID BUILDING SYSTEMS**  
18933 Aldine Westfield  
Houston, Tx. 77073  
Phone : (281) 443-9065  
Fax : (281) 443-9064

DESCRIPTION	DETAIL PAGE
CUSTOMER	ELEGANTE ENTERPRISES, INC.
END USER	PAINTERS SERVICE CENTER
END USE	OFFICE/SERVICE BAYS
LOCATION	1600 HILTON DR. ST. GEORGE, UT 84770
DRN. BY: FFF	DATE: 05/20/08
JOB NO.: 28268-C	SCALE: N.T.S.
	DWG. NO.: E9 OF
	ISSUE: A