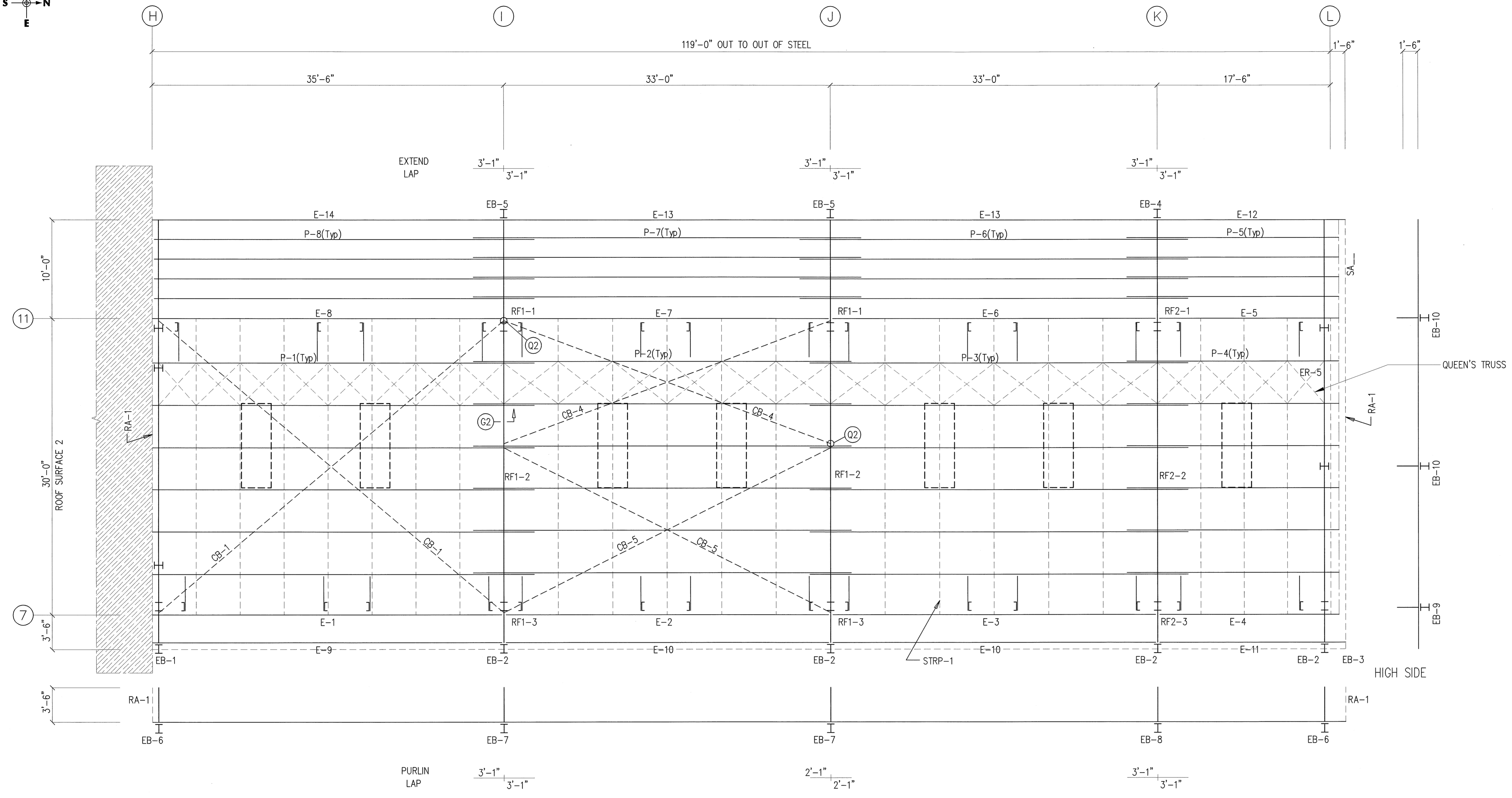
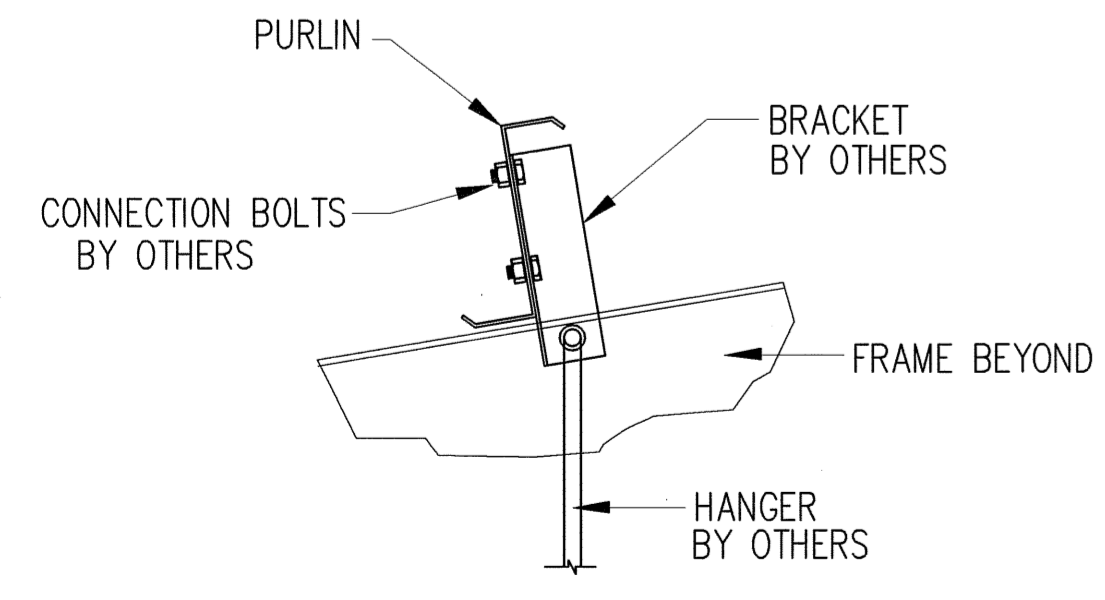
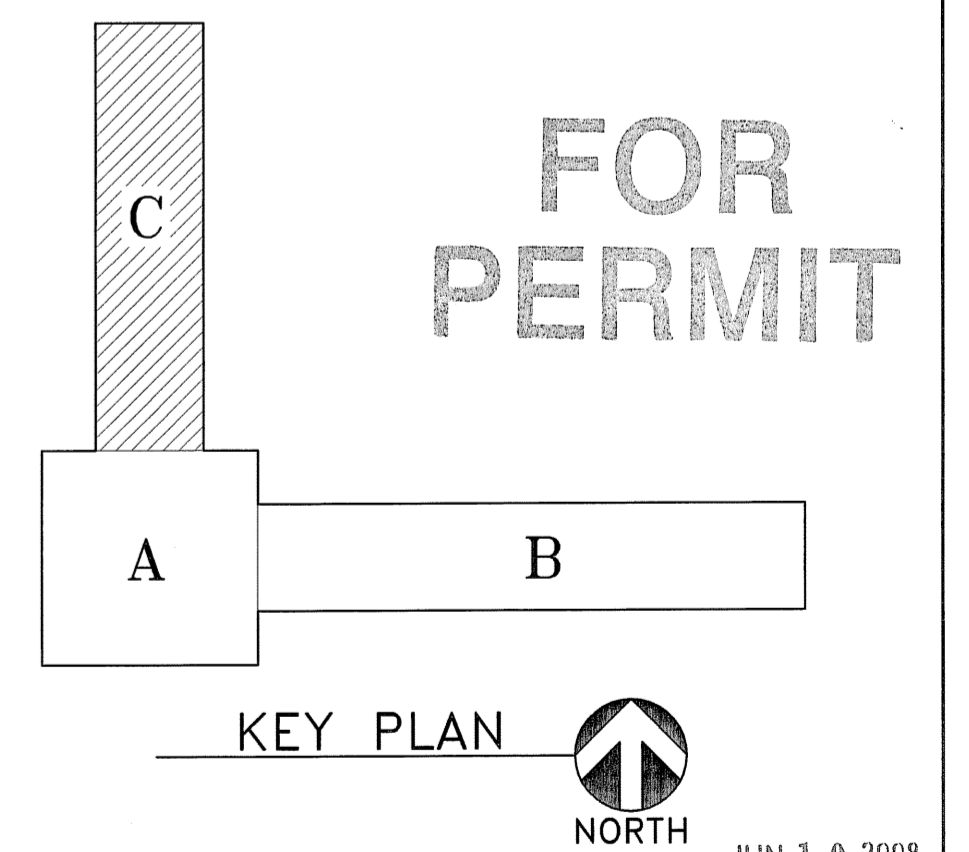


EXTENSION/CANOPY BOLTS ROOF PLAN				
MARK	QUAN	TYPE	DIA	LENGTH
EB-1	2	A325	1/2"	1 1/2"
EB-2	2	A325	1/2"	1 1/2"
EB-4	4	A325	3/4"	2"
EB-5	6	A325	3/4"	2 1/4"
EB-6	4	A325	5/8"	1 3/4"
EB-7	4	A325	5/8"	2"
EB-8	4	A325	5/8"	1 3/4"
EB-9	4	A325	5/8"	1 3/4"
EB-10	4	A325	5/8"	1 3/4"

MEMBER TABLE ROOF PLAN		
MARK	PART	LENGTH
EB-1	W10x12	6'-8 1/4"
EB-2	W10x12	6'-8 1/4"
EB-3	10x25C16	6'-8 1/4"
EB-4	BEAM	10'-0 1/8"
EB-5	BEAM	10'-0 1/8"
EB-6	W8x10	3'-6 3/8"
EB-7	W8x10	2'-10 1/8"
EB-8	W8x10	2'-10 1/8"
EB-9	W8x10	1'-2 1/8"
EB-10	W8x10	10 1/8"
P-1	10x25Z26	38'-6"
P-2	10x25Z12	38'-2"
P-3	10x25Z14	38'-2"
P-4	10x25Z14	22'-0"
P-5	10x25Z16	22'-0"
P-6	10x25Z16	39'-2"
P-7	10x25Z14	39'-2"
P-8	10x25Z14	38'-6"
E-1	H10ES16	34'-4"
E-2	H10ES16	32'-2"
E-3	H10ES16	32'-2"
E-4	H10ES16	16'-4"
E-5	L10ES16	18'-11 1/2"
E-6	L10ES16	32'-11 1/2"
E-7	L10ES16	32'-11 1/2"
E-8	L10ES16	35'-5 1/2"
E-9	10x30C12	35'-0 3/4"
E-10	10x25C12	32'-2"
E-11	10x25C16	18'-6 3/4"
E-12	L10ES16	18'-11 1/2"
E-13	L10ES14	32'-11 1/2"
E-14	L10ES12	35'-5 1/2"
E-15	L10ES16	1'-0"
CB-1	CB500(2)	46'-8"
CB-4	CB0250	35'-9"
CB-5	CB0250	37'-5"



ROOF FRAMING PLAN
NOTE: ROOF INSULATION BY OTHERS.



NOTE:
COLLATERAL LOAD MUST BE SUSPENDED FROM THE WEB OF PURLINS AND NOT FROM THE PURLIN FLANGE.

TYP. COLLATERAL LOAD FIXING DETAIL
STL26A

ISSUE	REV.	DESCRIPTION	DATE	DRN. DES.
A		CONFIRMATION	05.20.08	FFF LDD



SEALING OF THIS DRAWING DOES NOT IMPLY OR CONSTITUTE THAT RIGID BUILDINGS ENGINEER IS THE ENGINEER OF RECORD OR THE DESIGN PROFESSIONAL FOR THIS PROJECT. ONLY THE DESIGN OF THE METAL BUILDING SYSTEM AS FURNISHED BY RIGID IS INCLUDED. FOUNDATION ANALYSIS, ELECTRICAL, AND MECHANICAL SYSTEMS, AND/OR OTHER PARTS SUPPLIED BY ANYONE OTHER THAN RIGID ARE SPECIFICALLY EXCLUDED. NO INSPECTION OR SUPERVISION IS IMPLIED.	
DESCRIPTION	ROOF FRAMING PLAN
CUSTOMER	ELEGANTE ENTERPRISES, INC.
END USER	PAINTERS SERVICE CENTER
END USE	OFFICE/SERVICE BAYS
LOCATION	1600 HILTON DR. ST. GEORGE, UT 84770
DRN. BY: FFF	DATE: 05/20/08
JOB NO.: 28268-C	SCALE: N.T.S.
	DWG. NO.: E1 OF
	ISSUE: A