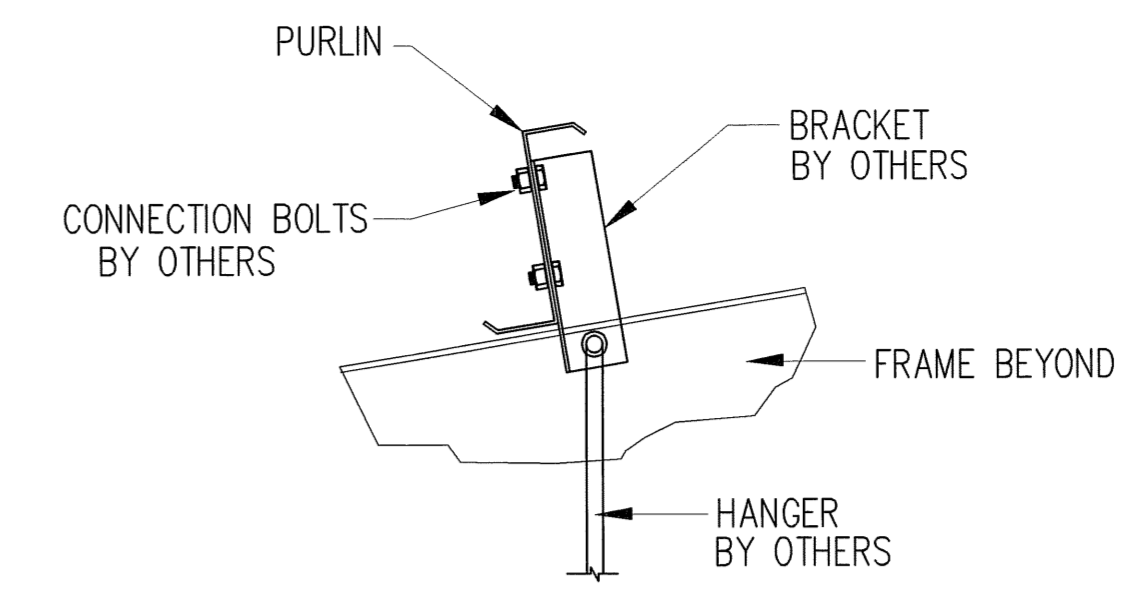


ROOF FRAMING PLAN

NOTE:
ROOF INSULATION BY OTHERS.



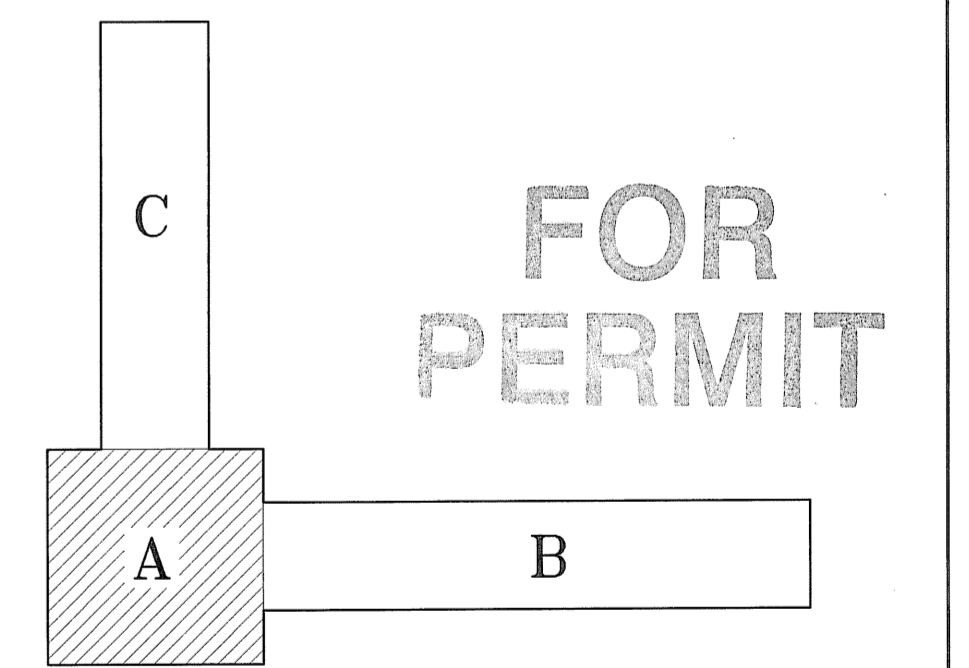
NOTE:
COLLATERAL LOAD MUST BE SUSPENDED FROM THE WEB OF PURLINS AND NOT FROM THE PURLIN FLANGE.

TYP. COLLATERAL LOAD FIXING DETAIL
STL26A

EXTENSION/CANOPY BOLTS ROOF PLAN				
MARK	QUAN	TYPE	DIA	LENGTH
EB-2	2	A325	1/2"	1 1/2"
EB-4	4	A325	5/8"	1 3/4"
EB-5	4	A325	5/8"	1 3/4"
EB-6	4	A325	5/8"	1 3/4"
EB-7	4	A325	5/8"	1 3/4"
EB-10	4	A325	5/8"	1 1/2"

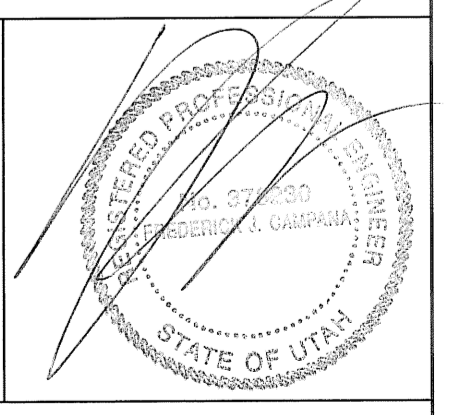
SPECIAL BOLTS ROOF PLAN					
Q ID	QUAN	TYPE	DIA	LENGTH	WASH
1	4	A325	1/2"	1 1/4"	0
2	4	A307	1/2"	1 1/4"	0

MEMBER TABLE ROOF PLAN		
MARK	PART	LENGTH
EB-1	8x35C16	3'-4 3/4"
EB-2	W8x10	3'-4 3/4"
EB-3	8x35C16	3'-4 3/4"
EB-4	W8x10	3'-2 1/8"
EB-5	W8x10	2'-10 1/8"
EB-6	W8x10	1'-2 1/8"
EB-7	W8x10	10 1/8"
P-1	8x30Z16	24'-6"
P-2	8x30Z16	22'-2"
P-3	8x30Z16	22'-6"
P-4	8x30Z14	22'-2"
E-1	H8ES16	13'-10"
E-2	H8ES16	4'-2"
E-3	H8ES16	19'-2"
E-4	L8ES16	21'-5 1/2"
E-5	L8ES14	19'-11 1/2"
E-6	L8ES16	23'-5 1/2"
E-7	8x25C16	18'-0 3/4"
E-8	8x25C16	4'-2"
E-9	8x25C16	19'-2"
E-10	8x25C16	16'-0 3/4"
E-11	L8ES16	3'-0"
E-12	L8ES16	1'-0"
CB-3	CB0500	24'-6"
CB-4	CB0313	22'-2"
CB-5	CB0250	30'-2"
CB-6	CB0500	25'-0"
CB-7	CB0250	20'-11"
CB-8	CB0250	21'-5"
CB-9	CB0250	16'-2"
CB-10	CB0250	15'-6"



FOR PERMIT
NORTH JUN 10 2008

SEALING OF THIS DRAWING DOES NOT IMPLY OR CONSTITUTE THAT RIGID BUILDINGS ENGINEER IS THE ENGINEER OF RECORD OR THE DESIGN PROFESSIONAL FOR THIS PROJECT. ONLY THE DESIGN OF THE METAL BUILDING SYSTEM AS FURNISHED BY RIGID IS INCLUDED. FOUNDATION ANALYSIS, ELECTRICAL, AND MECHANICAL SYSTEMS, AND/OR OTHER PARTS SUPPLIED BY ANYONE OTHER THAN RIGID ARE SPECIFICALLY EXCLUDED. NO INSPECTION OR SUPERVISION IS IMPLIED.



ISSUE	REV.	DESCRIPTION	DATE	DRN. DES.
A		CONFIRMATION	05.20.08	FFF LDD

RIGID BUILDING SYSTEMS
18933 Aldine Westfield
Houston, Tx. 77073
Phone : (281) 443-9065
Fax : (281) 443-9064

DESCRIPTION		ROOF FRAMING PLAN	
CUSTOMER	ELEGANTE ENTERPRISES, INC.		
END USER	PAINTERS SERVICE CENTER		
END USE	OFFICE/SERVICE BAYS		
LOCATION	1600 HILTON DR. ST. GEORGE, UT 84770		
DRN. BY	FFF	DATE	05/20/08
CHK. BY		DATE	
JOB NO.	28268-A	SCALE	3/16"
DWG. NO.	E1 OF	ISSUE	A