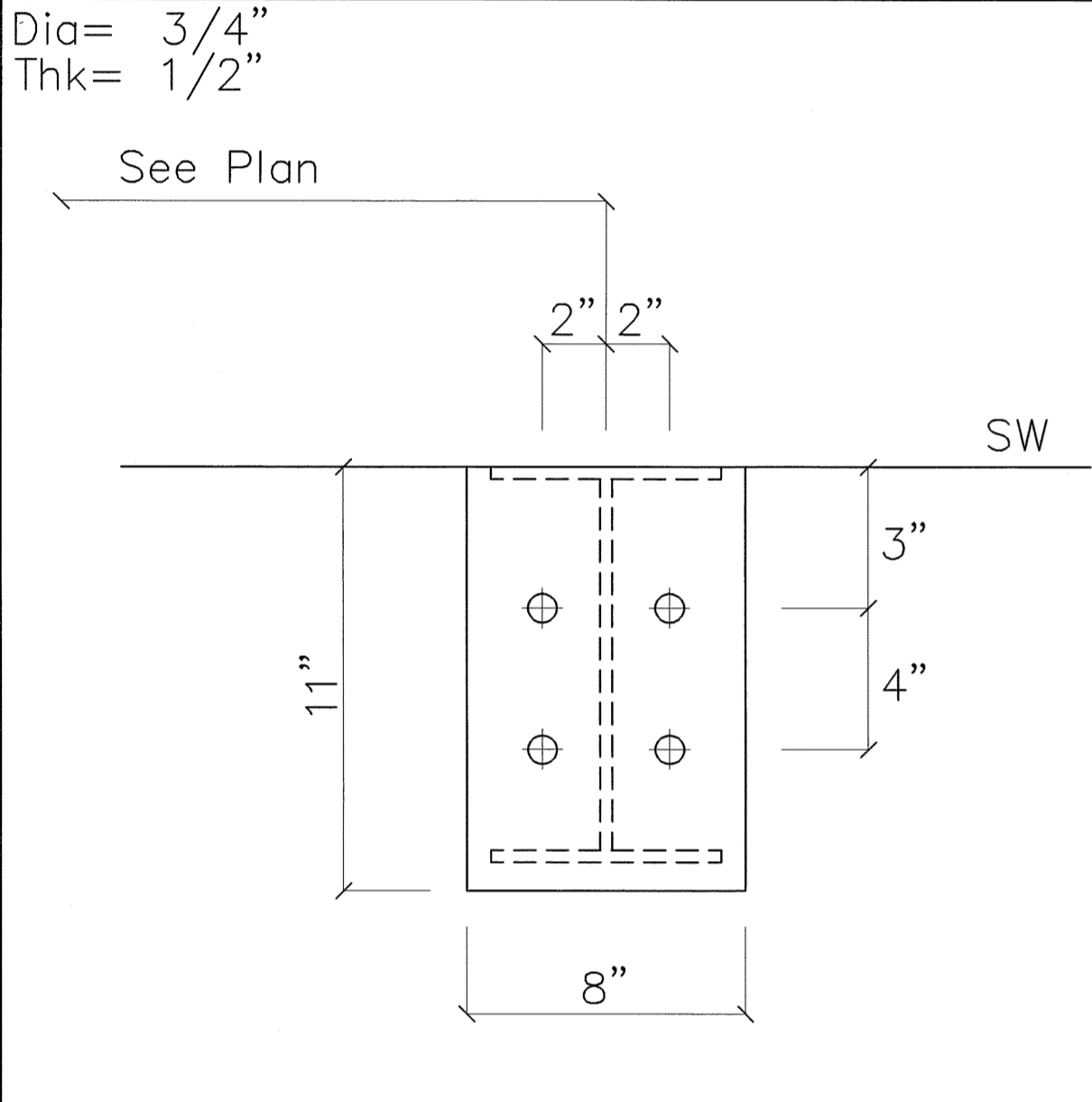
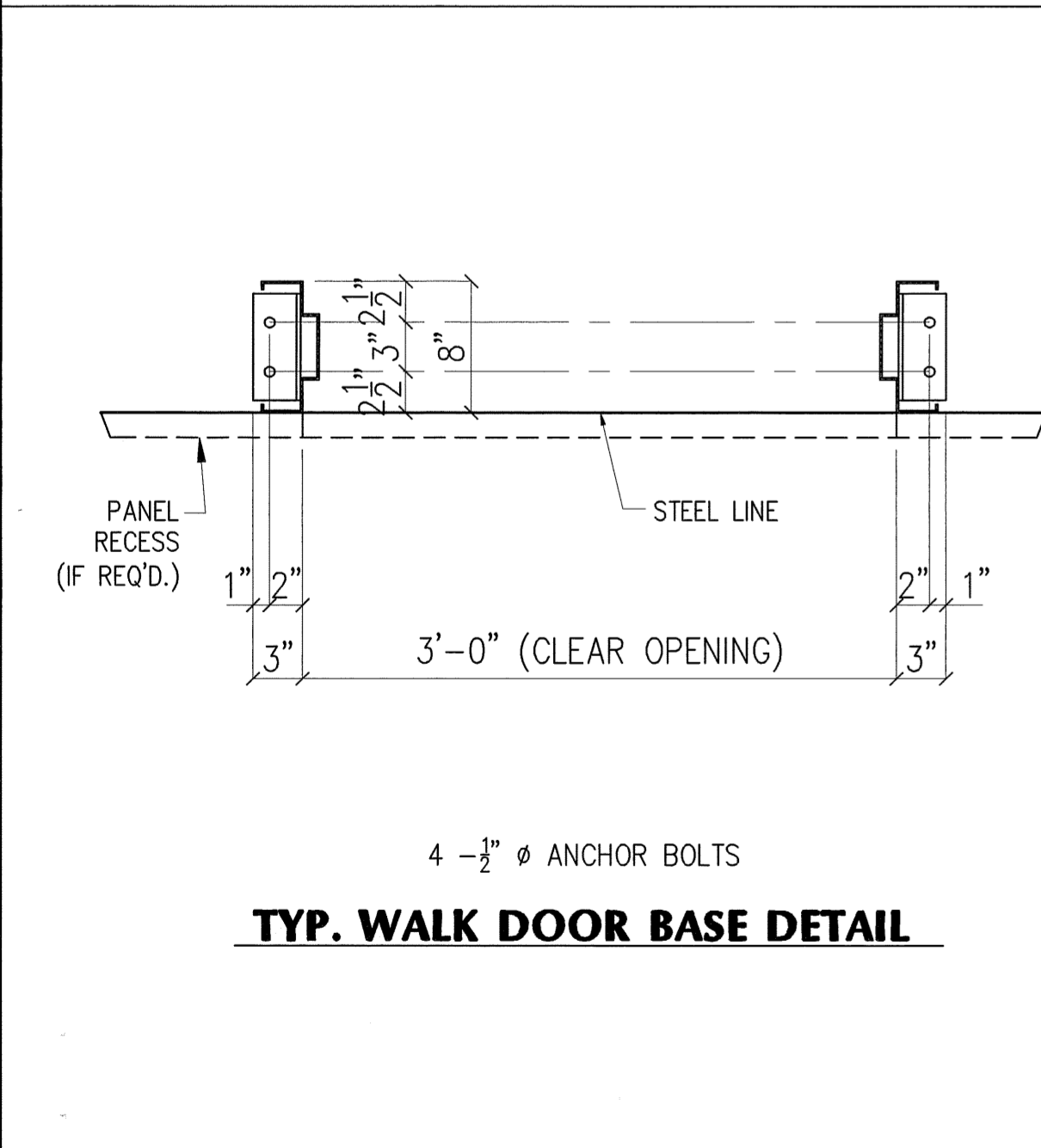


DETAIL - A1

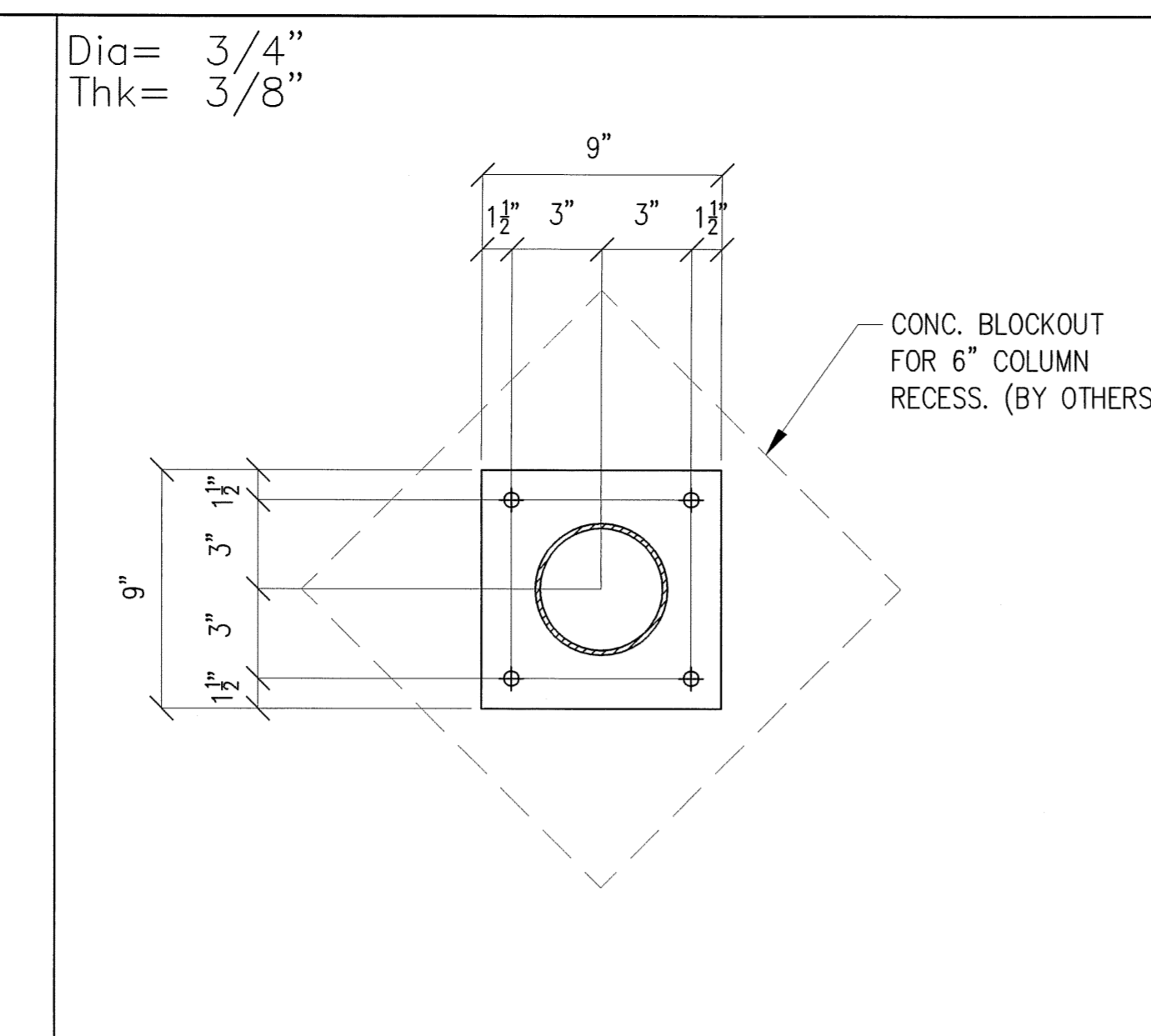


DETAIL - A6

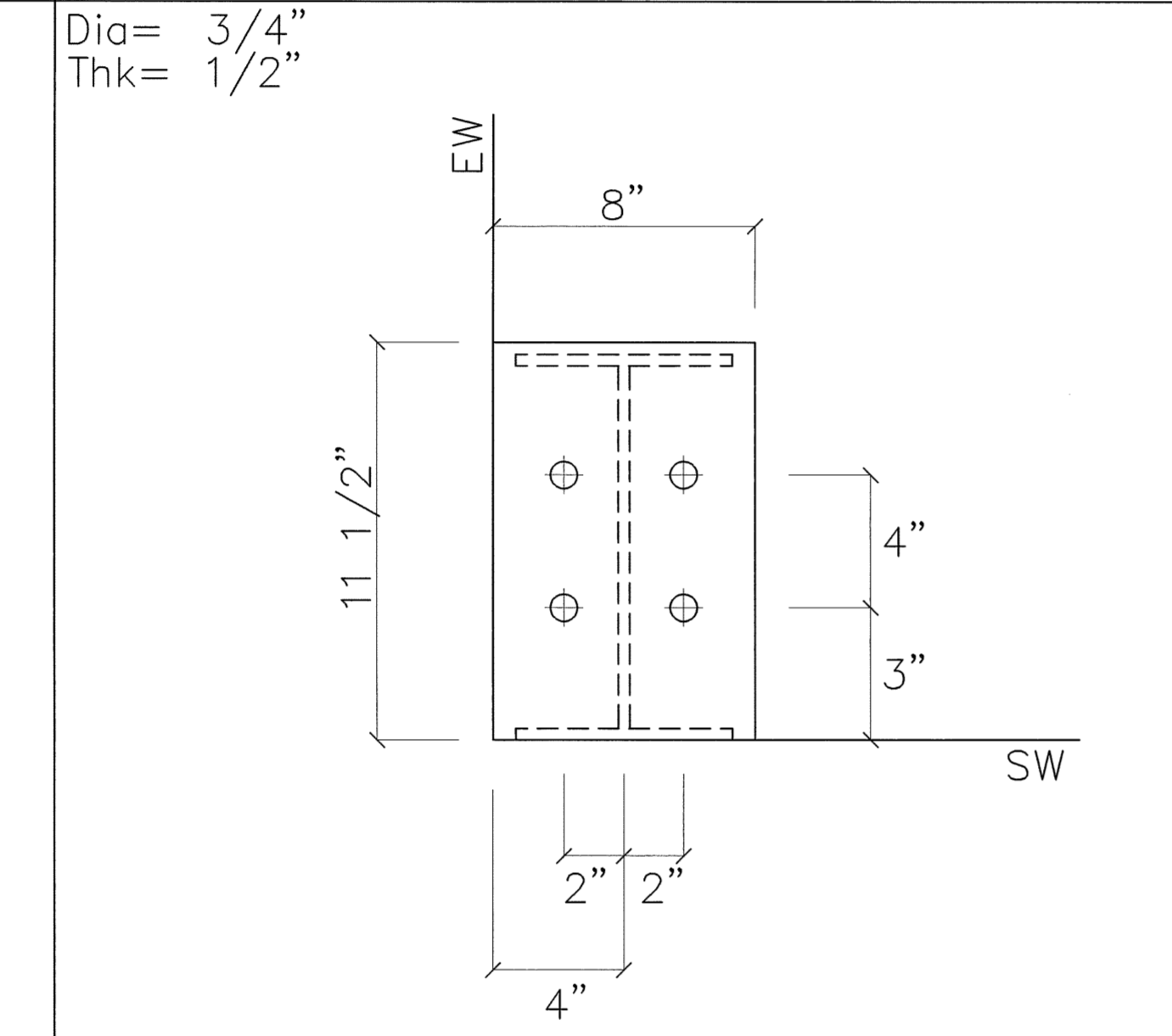


GENERAL NOTES:

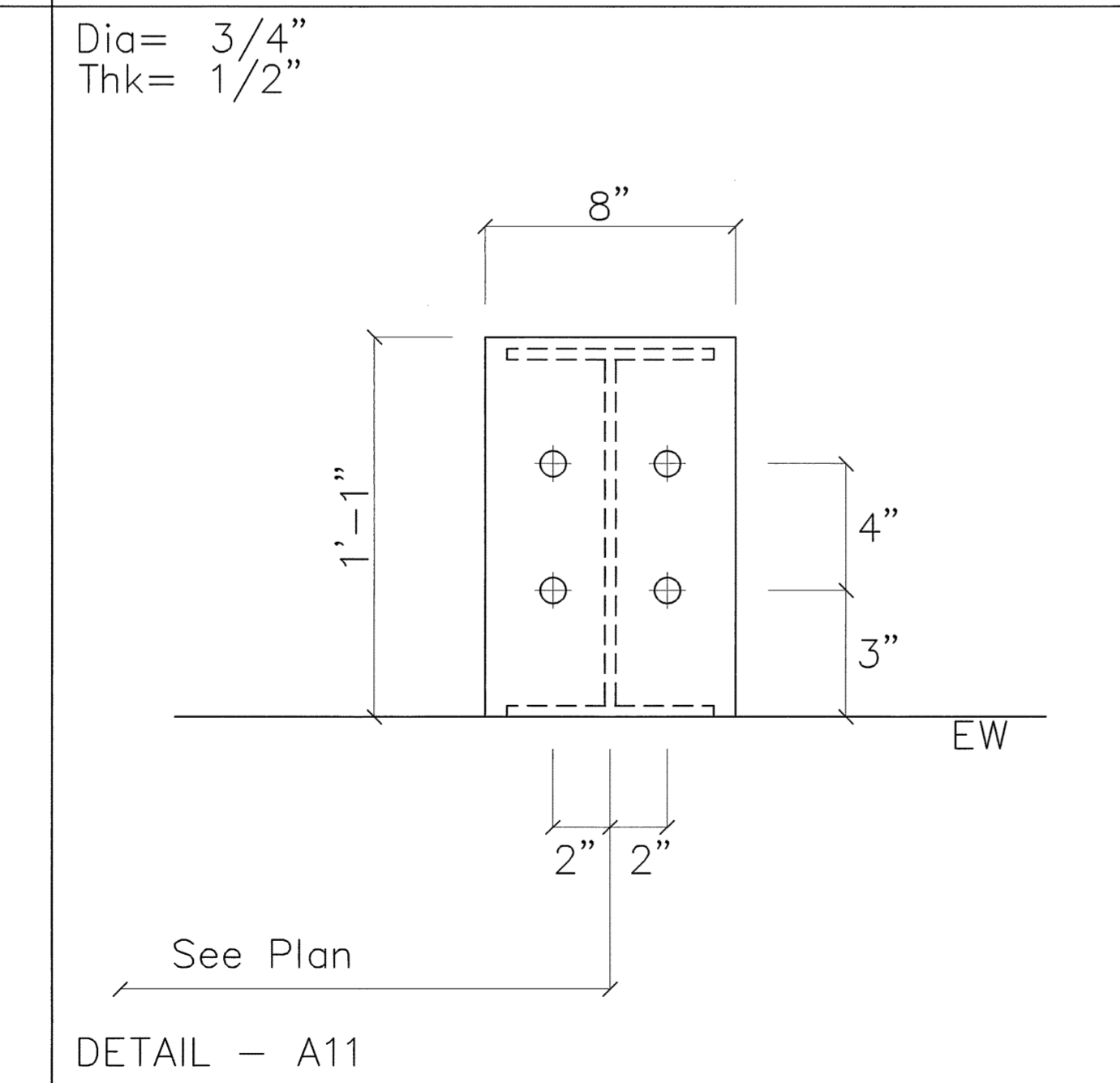
- THE ANCHOR BOLT DETAILS SHOWN ON THIS DRAWING LOCATE THE ANCHOR BOLTS IN REFERENCE TO BOTH THE BUILDING STEEL LINE AND THE OUTSIDE OF RIGID'S SUGGESTED PANEL RECESS OF 1-1/2".
- THE ANCHOR BOLT SETTING PLAN LOCATES ANCHOR BOLTS IN REFERENCE TO THE OUTSIDE OF THE PANEL RECESS SHOWN. IF THE ACTUAL PANEL RECESS IS DIFFERENT FROM WHAT IS SHOWN ON THE ANCHOR BOLT SETTING PLAN, THEN ALL REFERENCE DIMENSIONS FROM THE OUTSIDE OF THE PANEL RECESS MUST BE DETERMINED BY THE CUSTOMER.
- BOTTOM OF ALL BASE PLATES ARE AT THE SAME ELEVATION. (UNLESS NOTED)



DETAIL - A2

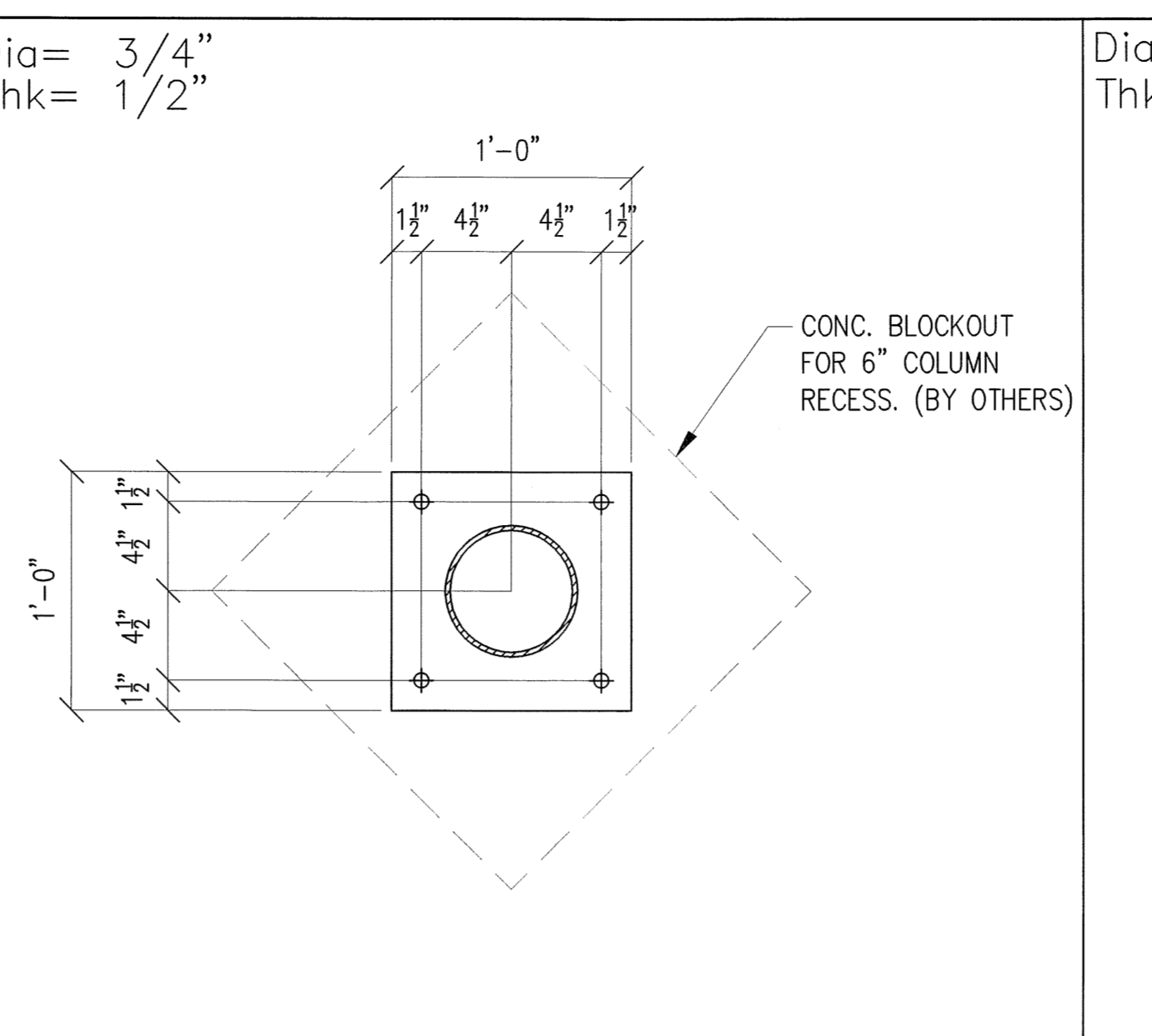


DETAIL - A7

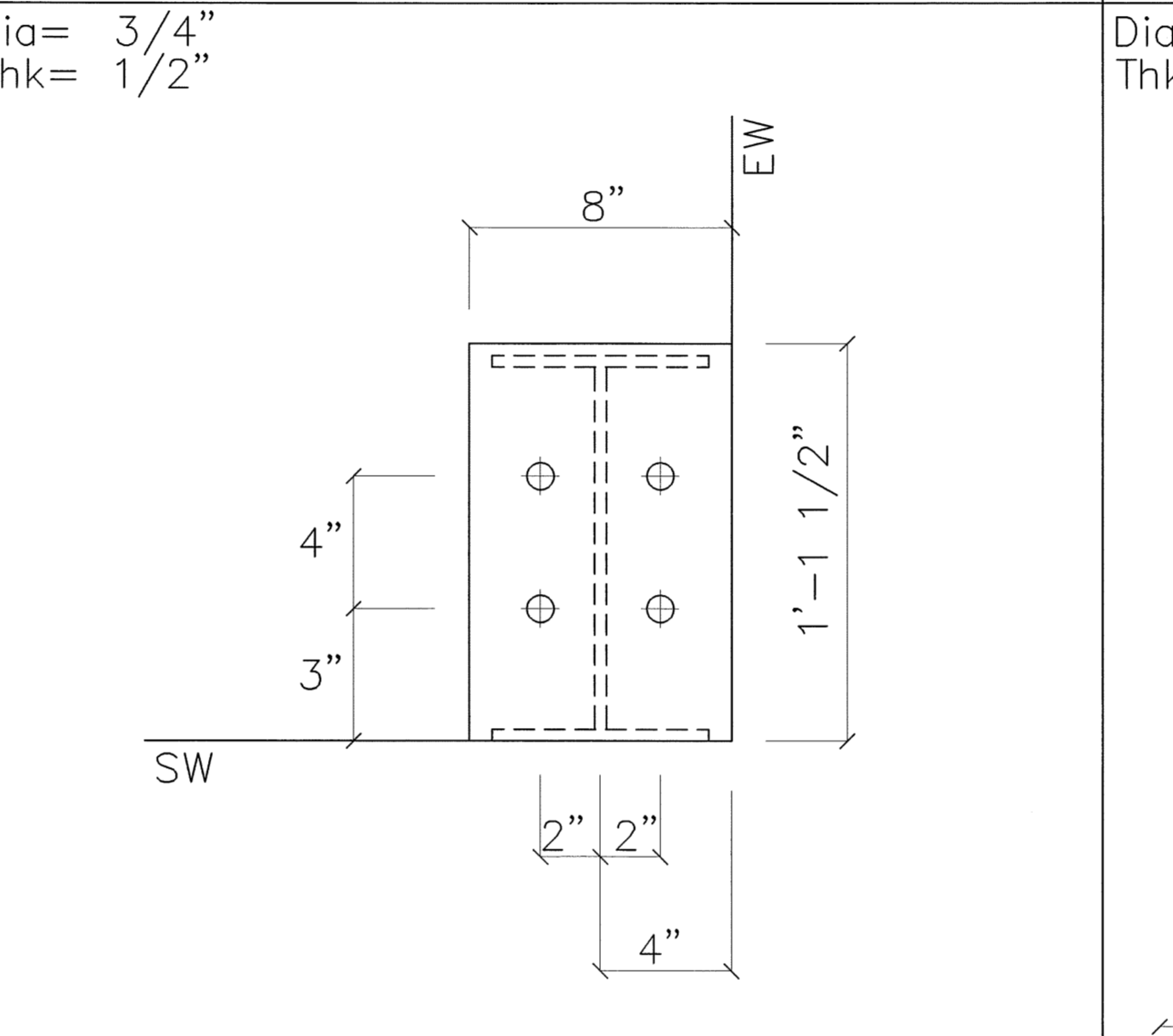


NOTE:

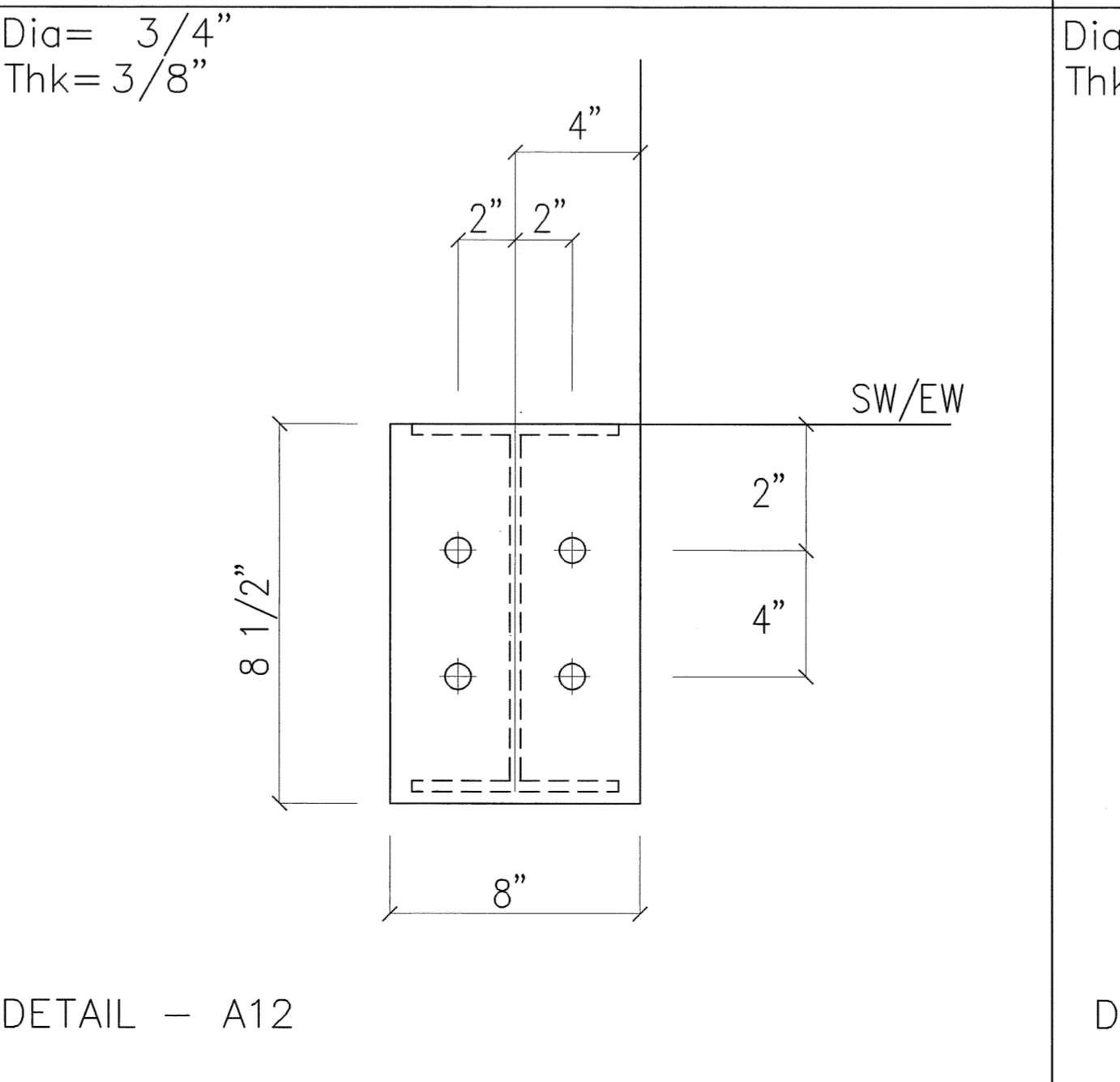
ONLY ANCHOR BOLTS SETTING PLAN ISSUED & STAMPED "FOR CONSTRUCTION" SHALL BE USED IN SETTING ANCHOR BOLTS. "RIGID BUILDING SYSTEMS" SHALL NOT BE RESPONSIBLE FOR ERROR OR DISCREPANCY IF THE DRAWING USED IS NOT VALID FOR CONSTRUCTION.



DETAIL - A3



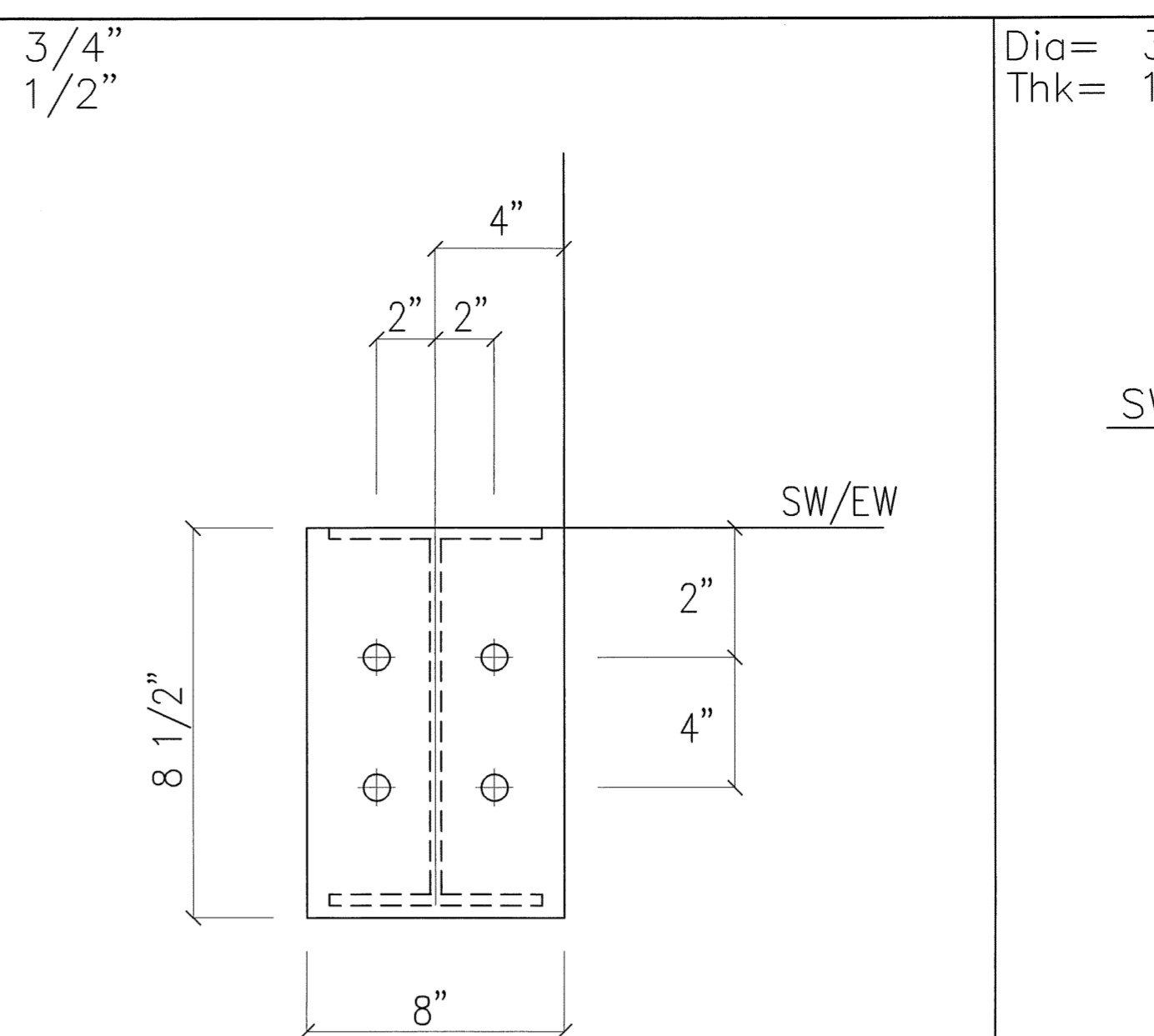
DETAIL - A8



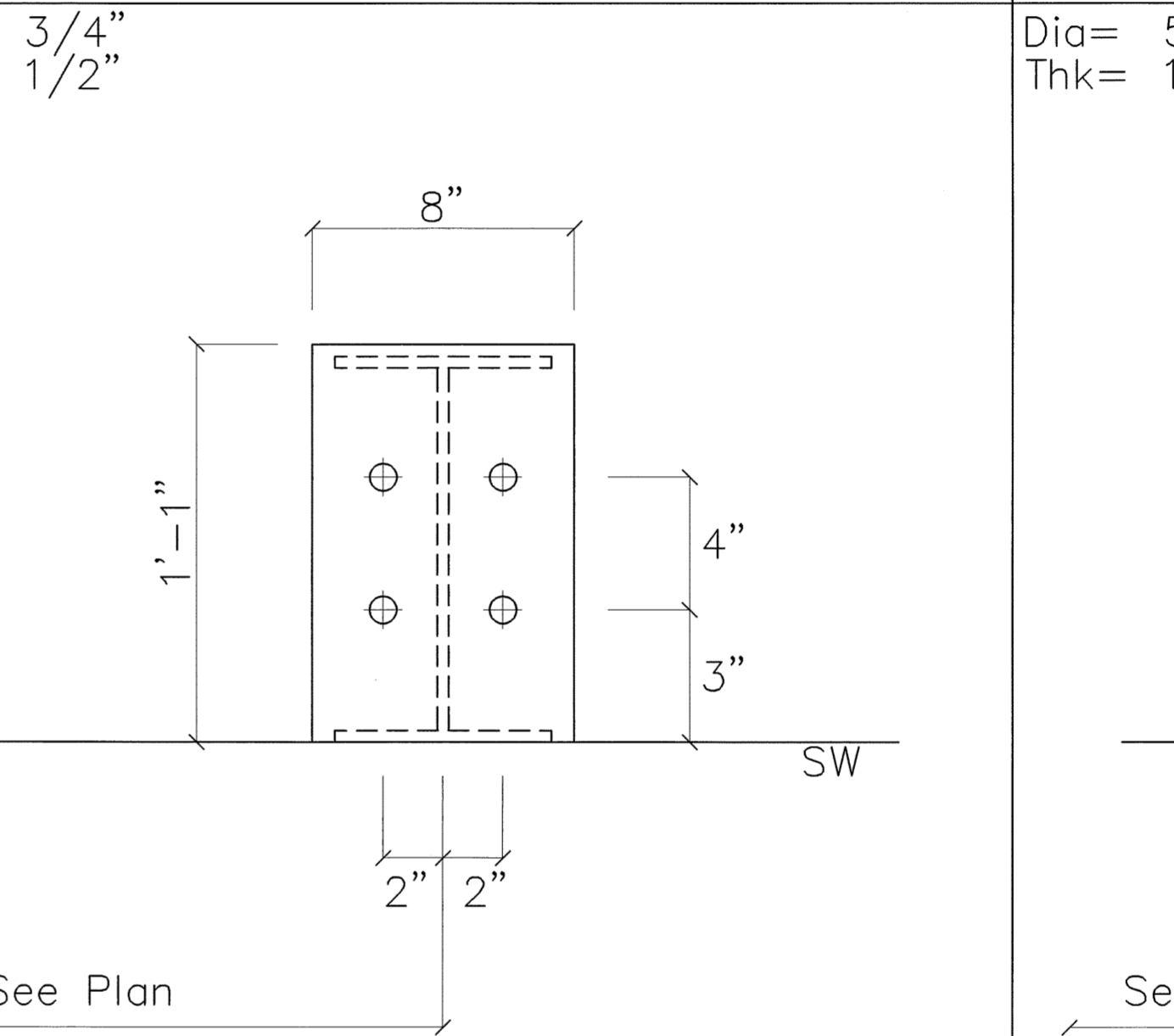
ANCHOR BOLT DETAIL

QTY.	SYMBOL	DIA.	PROJ.
8	+	1/2"	1"
8	+	5/8"	2"
108	+	3/4"	2 1/2"
	+	7/8"	2 3/4"
	+	1"	3"
	+	1 1/8"	3 1/2"
	+	1 1/2"	3 1/2"

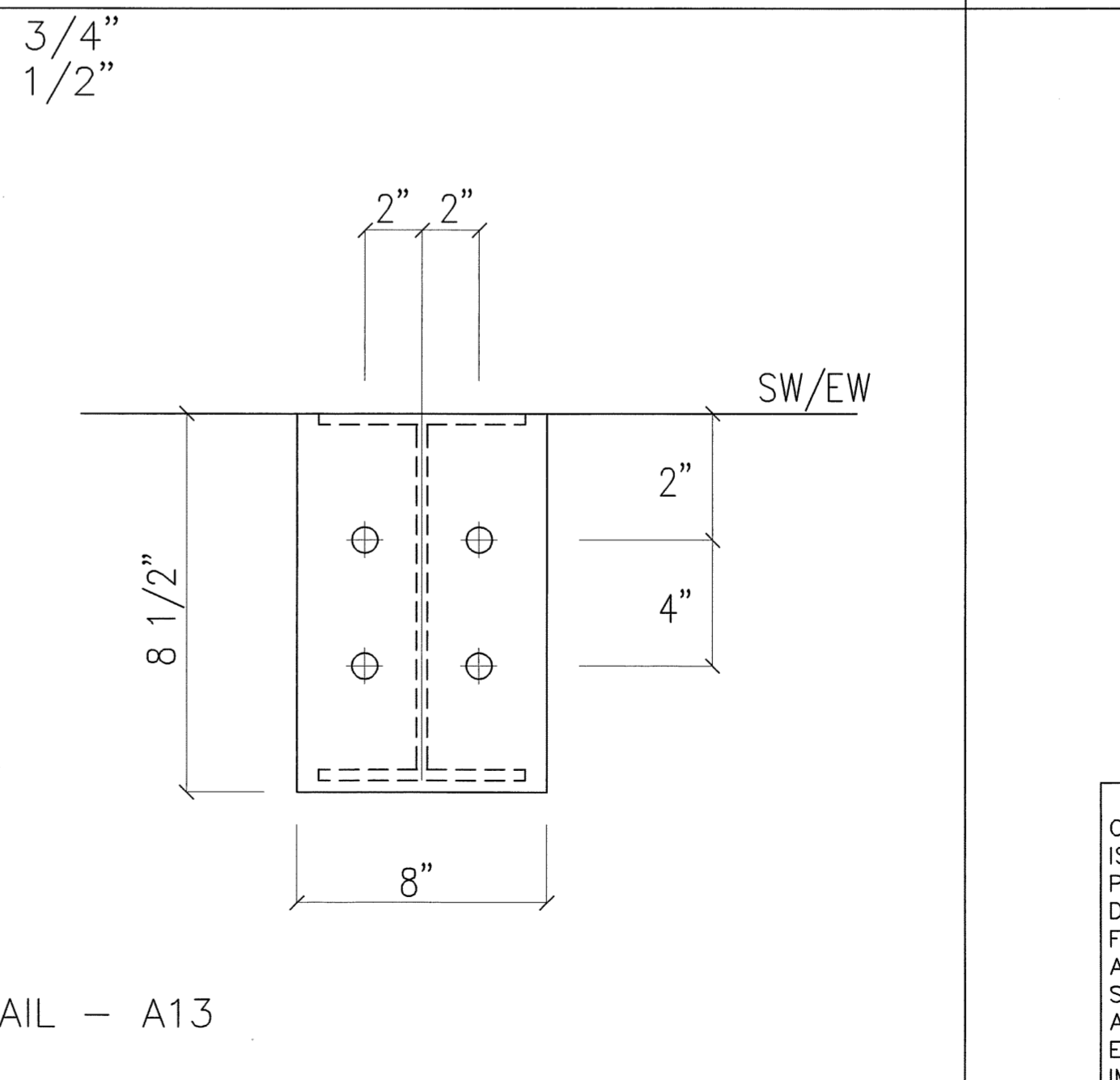
ANCHOR BOLTS (BY OTHERS)



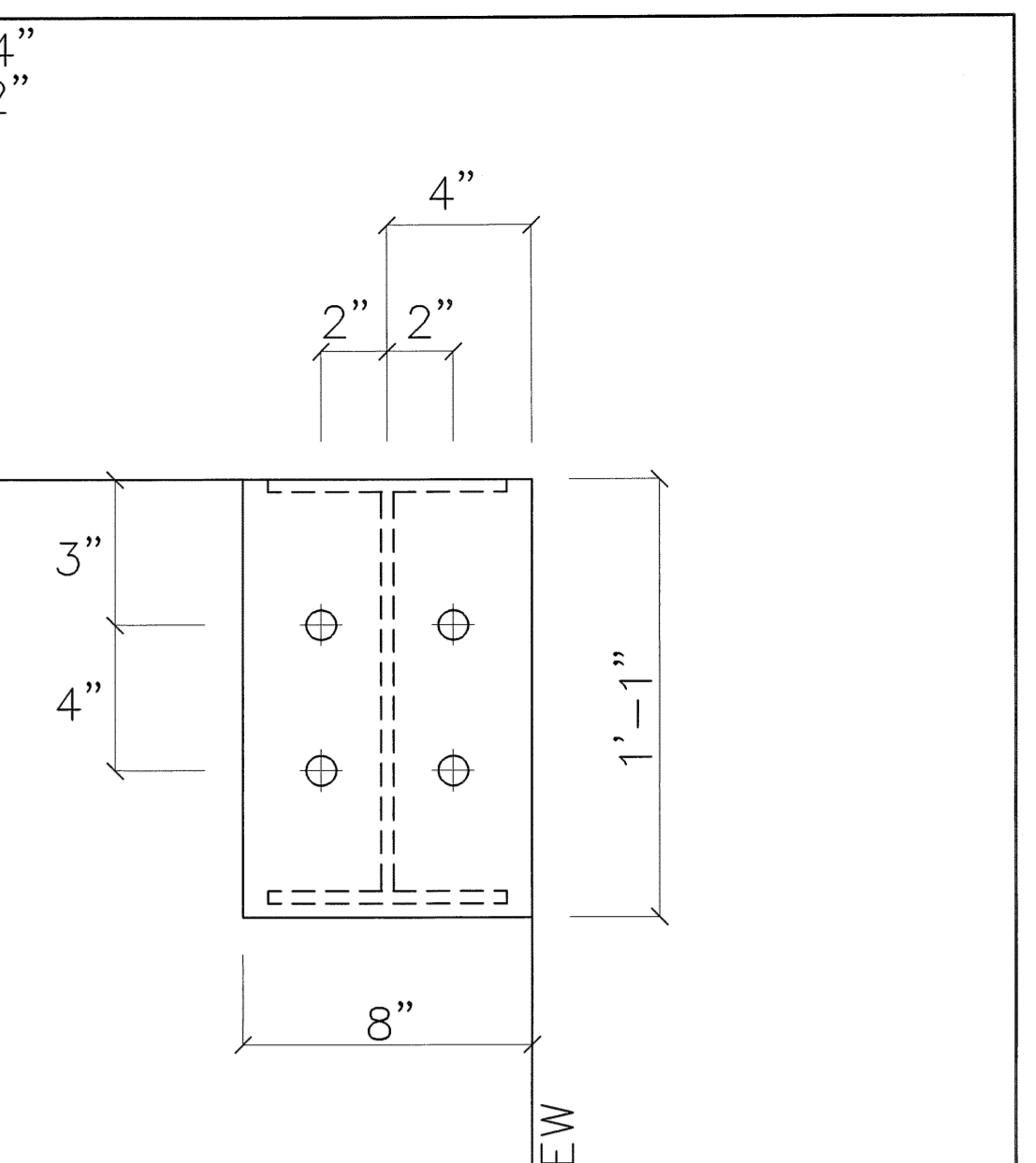
DETAIL - A4



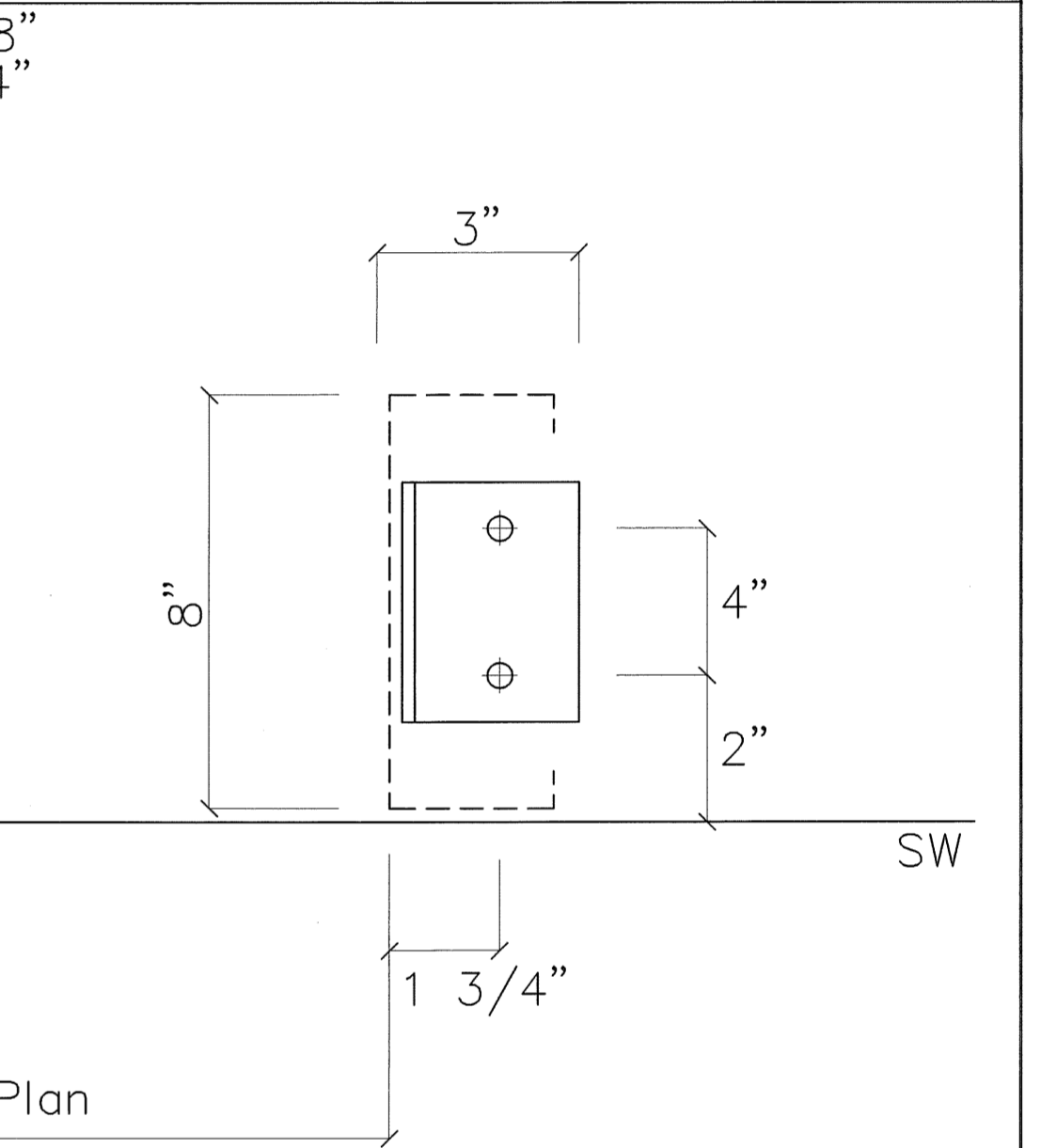
DETAIL - A9



ISSUE	REV.	DESCRIPTION	DATE	DRN. DES.
A		CONFIRMATION	05.20.08	FFF
0		CONSTRUCTION	06.04.08	LDO LJK MT



DETAIL - A5



DETAIL - A10

FOR PERMIT

JUN 10 2008

SEALING OF THIS DRAWING DOES NOT IMPLY OR CONSTITUTE THAT RIGID BUILDINGS ENGINEER IS THE ENGINEER OF RECORD OR THE DESIGN PROFESSIONAL FOR THIS PROJECT. ONLY THE DESIGN OF THE METAL BUILDING SYSTEM AS FURNISHED BY RIGID IS INCLUDED, FOUNDATION ANALYSIS, ELECTRICAL, AND MECHANICAL SYSTEMS, AND/OR OTHER PARTS SUPPLIED BY ANYONE OTHER THAN RIGID ARE SPECIFICALLY EXCLUDED. NO INSPECTION OR SUPERVISION IS IMPLIED.

DESCRIPTION	ANCHOR BOLTS DETAILS
CUSTOMER	ELEGANTE ENTERPRISES, INC.
END USER	PAINTERS SERVICE CENTER
END USE	OFFICE/SERVICE BAYS
LOCATION	1600 HILTON DR. ST. GEORGE, UT 84770
DRN. BY:	LK
DATE:	06/04/08
CHK. BY:	MT
DATE:	06/04/08
JOB NO.:	28268-A
SCALE:	N.T.S.
DRG. NO.:	F2 OF 3
ISSUE:	0

