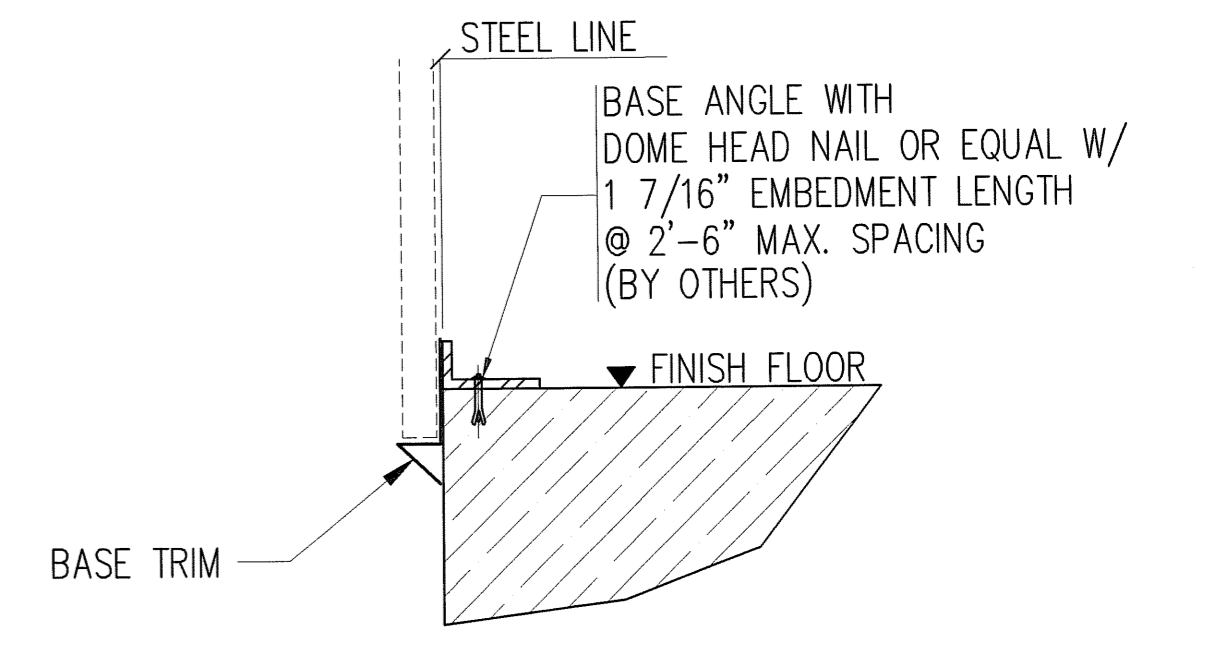
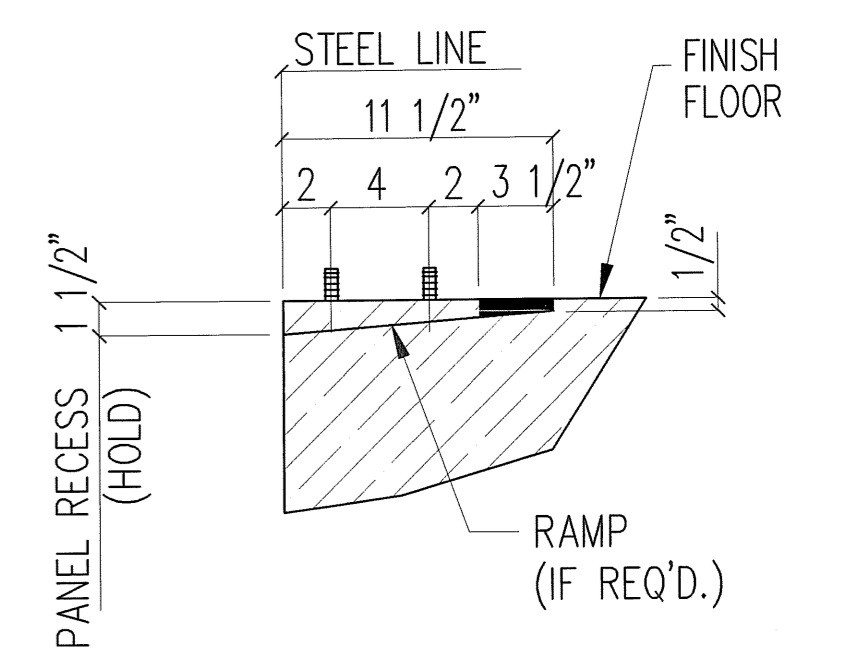


COLUMN LAYOUT PLAN

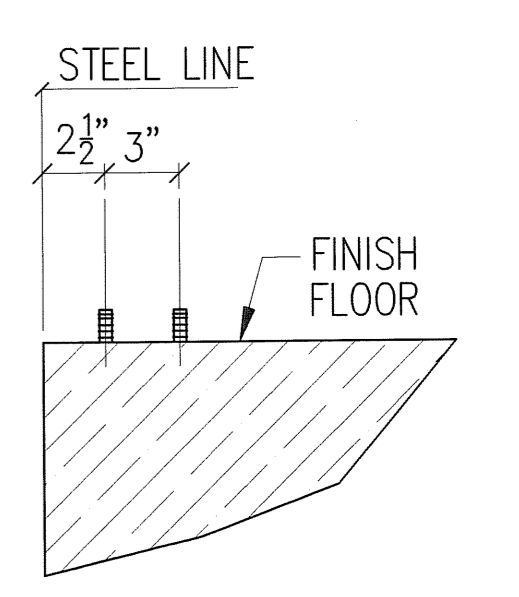
1. FINISH FLOOR @ ELEV. 0'-0".
2. ALL BOTTOM OF BASE PL @ ELEV. 0'-0" UNO.
3. MEZZ. COLUMN REACTIONS ARE SHOWN ON PLAN.



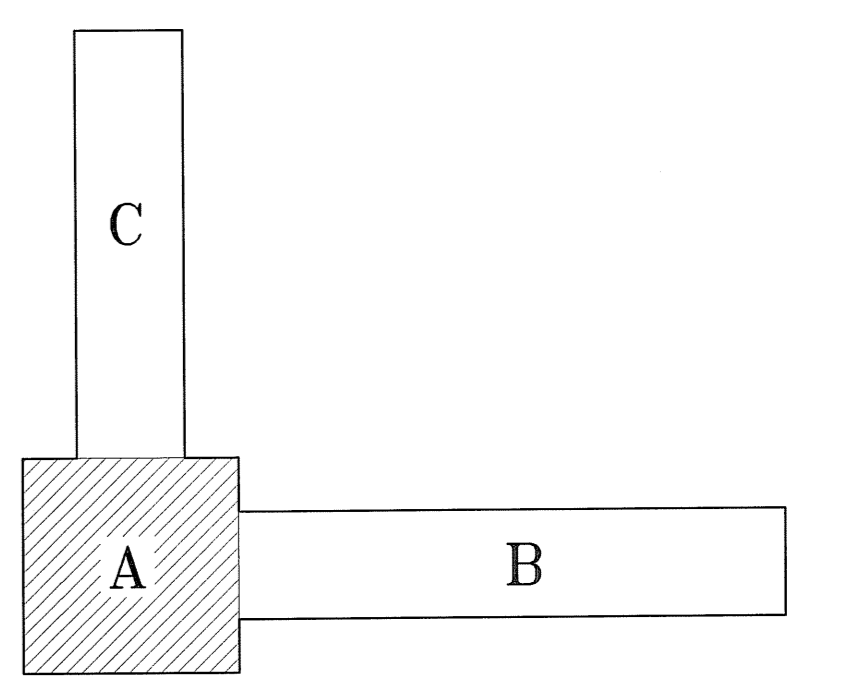
A SECTION



B SECTION



TYP. WALK DOOR SECTION (FIELD LOCATE)

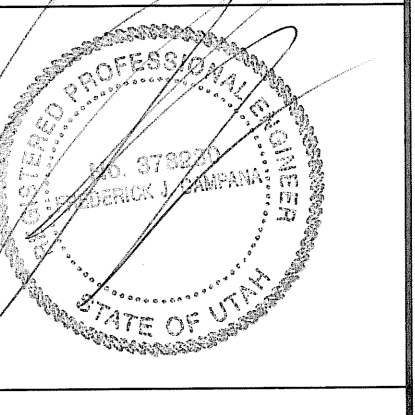


KEY PLAN

FOR PERMIT

NORTH
JUN 10 2008

SEALING OF THIS DRAWING DOES NOT IMPLY OR CONSTITUTE THAT RIGID BUILDINGS ENGINEER IS THE ENGINEER OF RECORD OR THE DESIGN PROFESSIONAL FOR THIS PROJECT. ONLY THE DESIGN OF THE METAL BUILDING SYSTEM AS FURNISHED BY RIGID IS INCLUDED. FOUNDATION ANALYSIS, ELECTRICAL, AND MECHANICAL SYSTEMS, AND/OR OTHER PARTS SUPPLIED BY ANYONE OTHER THAN RIGID ARE SPECIFICALLY EXCLUDED. NO INSPECTION OR SUPERVISION IS IMPLIED.



ISSUE	REV.	DESCRIPTION	DATE	DRN. DES.
A		CONFIRMATION	05.20.08	FFF
0		CONSTRUCTION	06.04.08	LDD LK MT



DESCRIPTION	COLUMN LAYOUT
CUSTOMER	ELEGANTE ENTERPRISES, INC.
END USER	PAINTERS SERVICE CENTER
END USE	OFFICE/SERVICE BAYS
LOCATION	1600 HILTON DR. ST. GEORGE, UT 84770
DRN. BY:	LK
DATE:	06/04/08
CHK. BY:	MT
DATE:	06/04/08
JOB NO.:	28268-A
SCALE:	3/16"
DWG. NO.:	F1 OF 3
ISSUE:	0